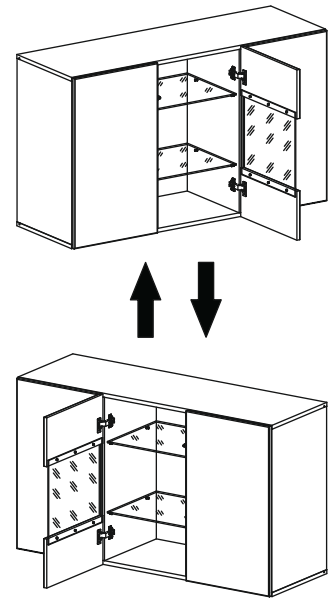
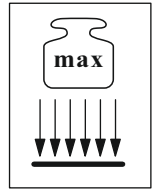
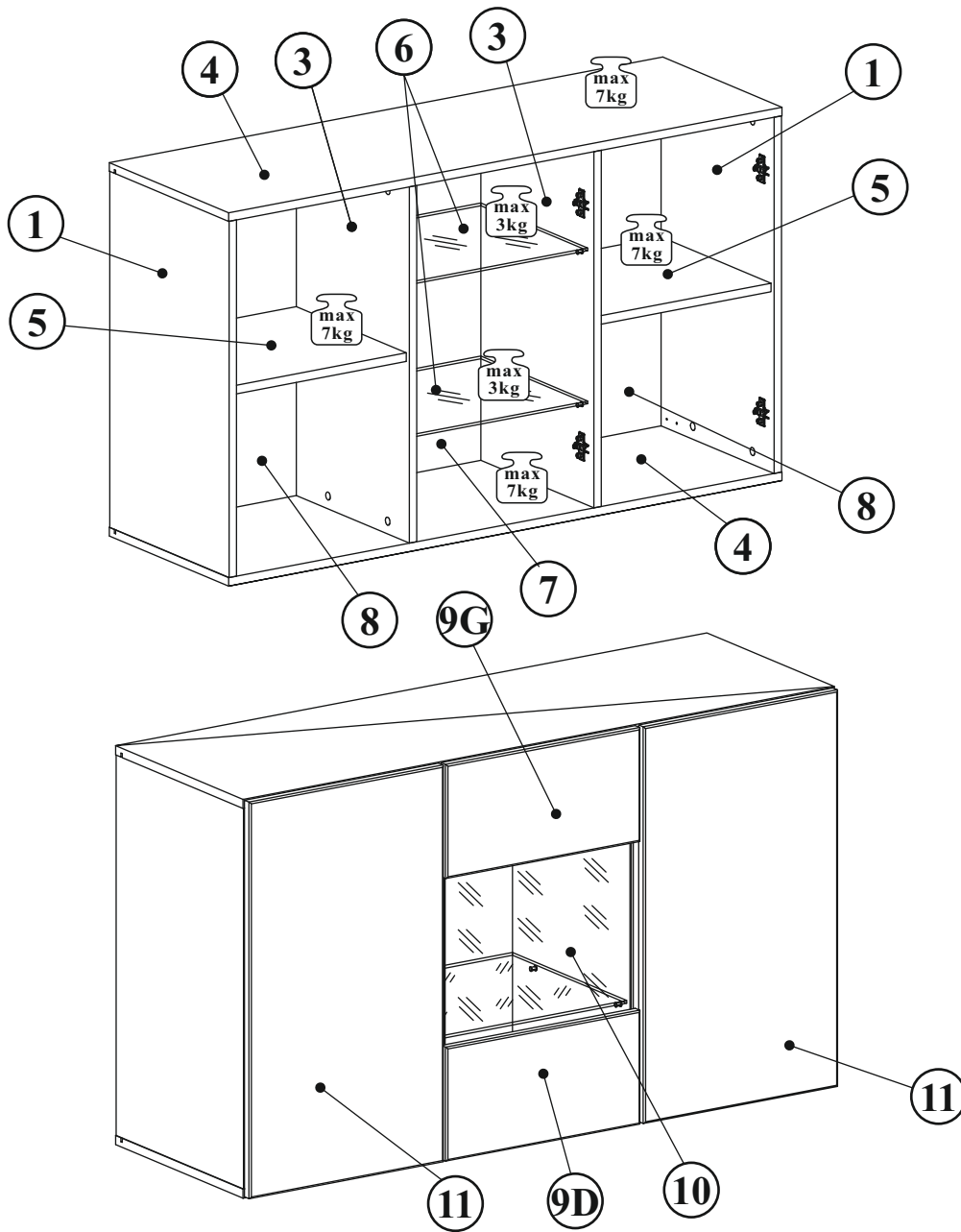
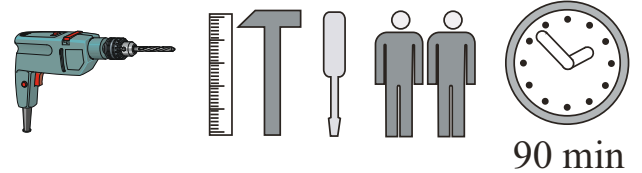



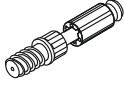
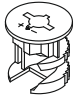

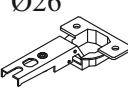
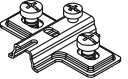
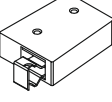
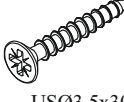
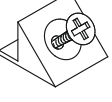

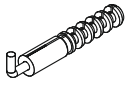
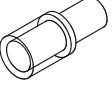


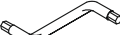

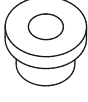
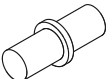
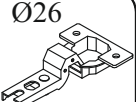
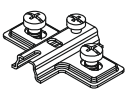
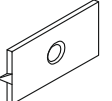

# POINT TYP- SB II

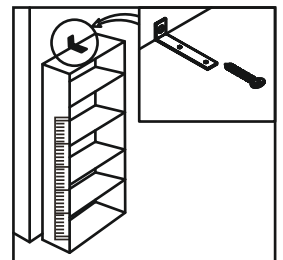
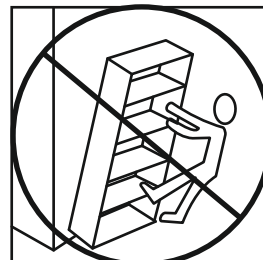
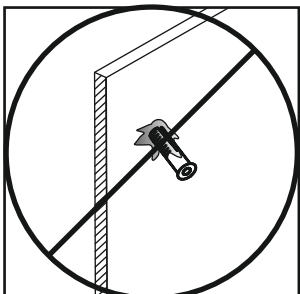
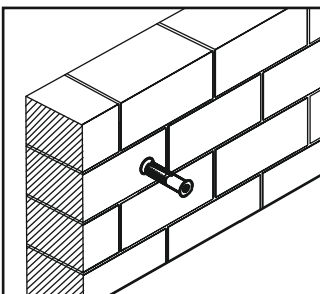
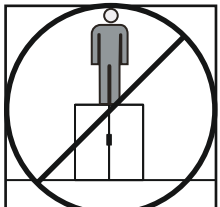
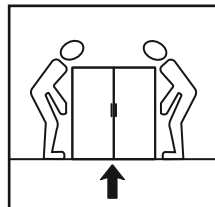
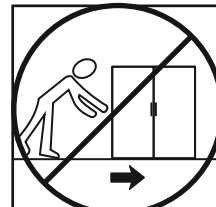
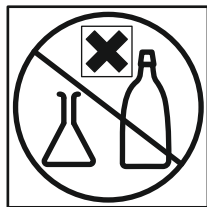
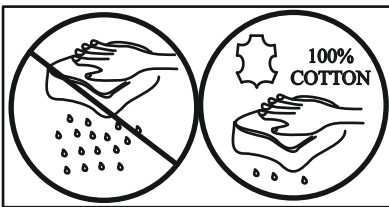
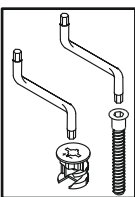
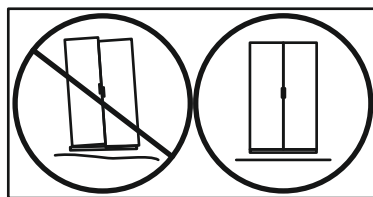
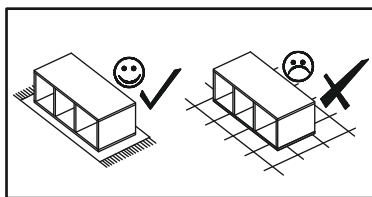
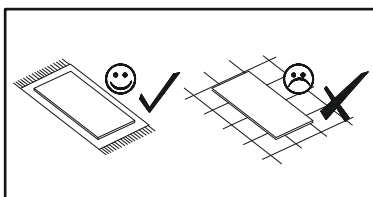
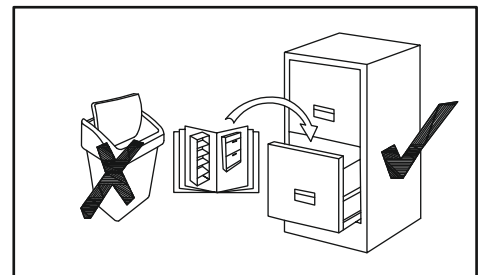
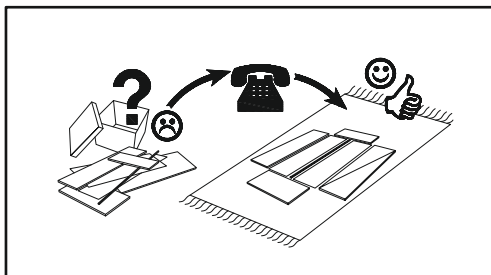
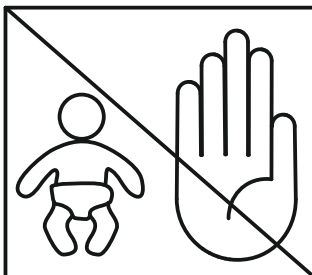
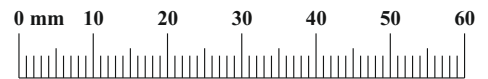


NO	Dim.		Col.-No	Qty
1	668	384	1	2
2	668	364	1	1
3	668	364	1	1
4	1200	384	1	2
5	375	354	1	2
6	382	344	1	2
7	680	398	1	1
8	680	388	1	2
9G	394	200	1	1
9D	394	200	1	1
10	378	345	1	1
11	394	696	1	2



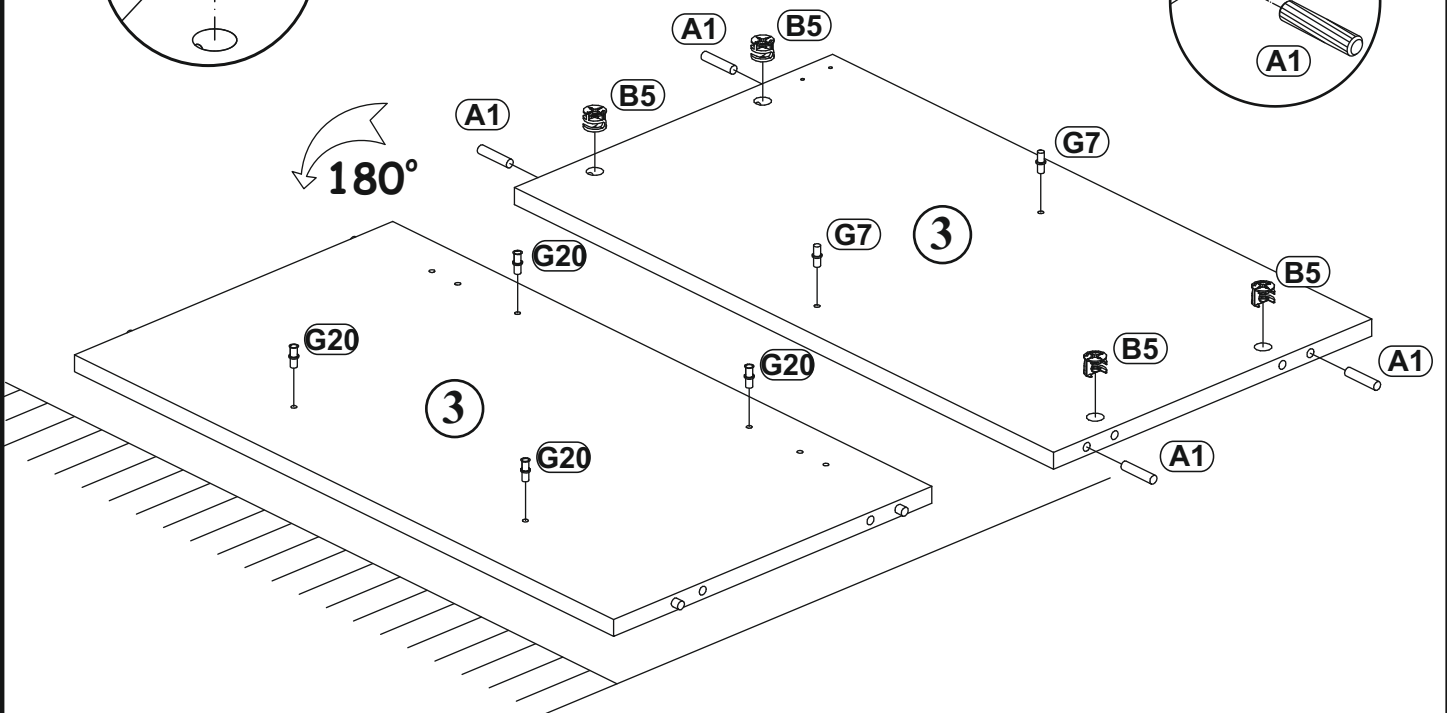
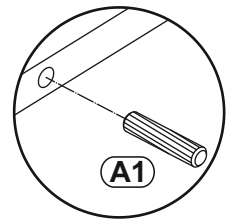
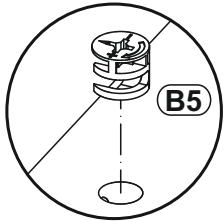
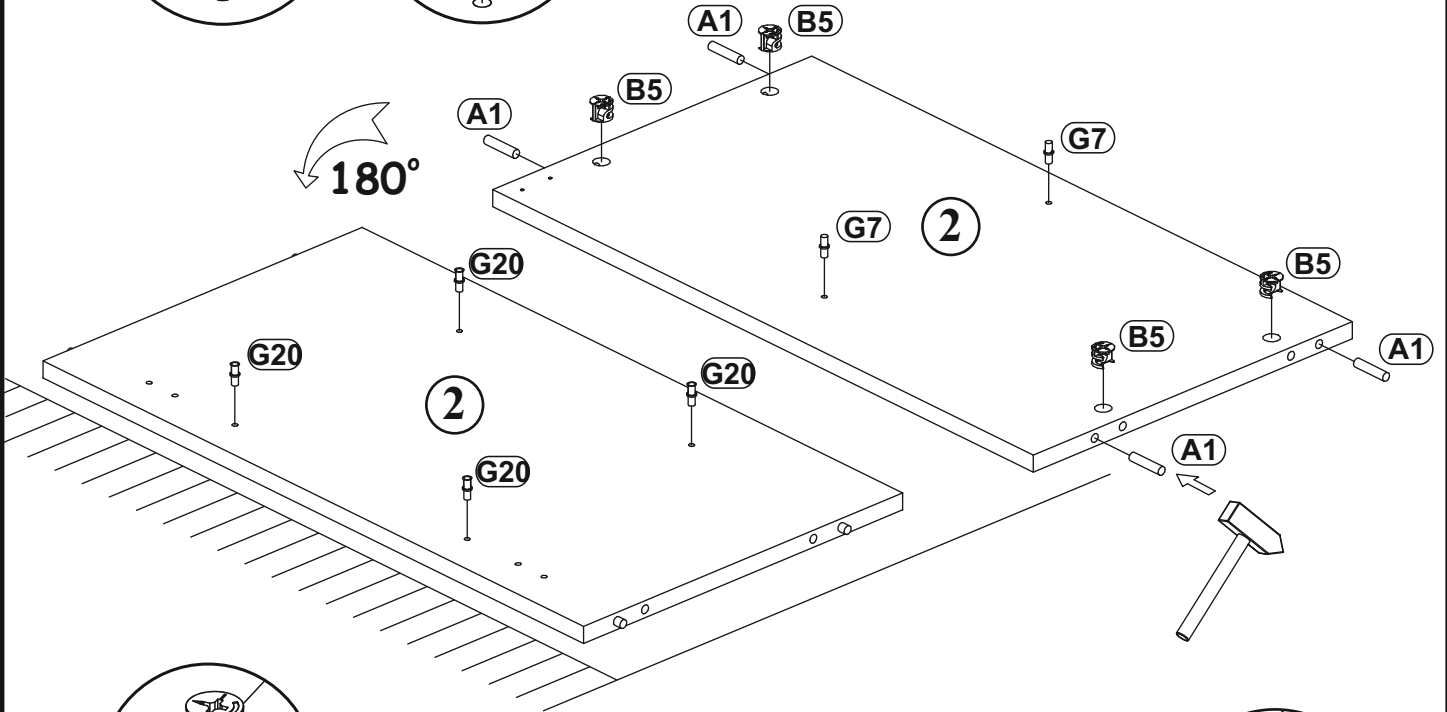
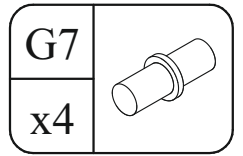
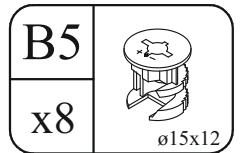
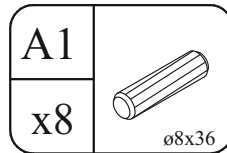
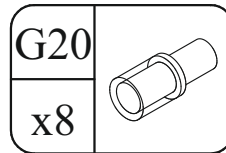
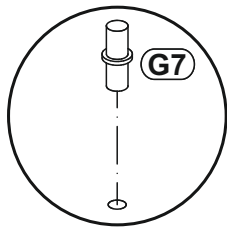
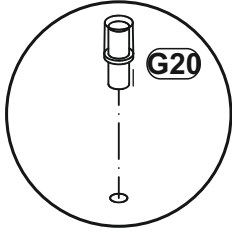
# POINT TYP- SB II

A1 x16  ø8x36	B4 x16 	B5 x16  ø15x12	G5 x16 	E1 x4  Ø26 H=0	E2 x4  H=0
ZR1 x4 	D6 x8  USØ3,5x30	S1 x10 	D10 x18  USØ3,5x13	KR2 x4 	G20 x8 
Z2 x4  ø5	T1 x3 	G2 x1 	UP13 x6  UPØ3x16	P2 x6 	G7 x8 
E3 x2  Ø26 H=8	E4 x2  H=2	G16 x10 	D9 x10  USØ3x20		



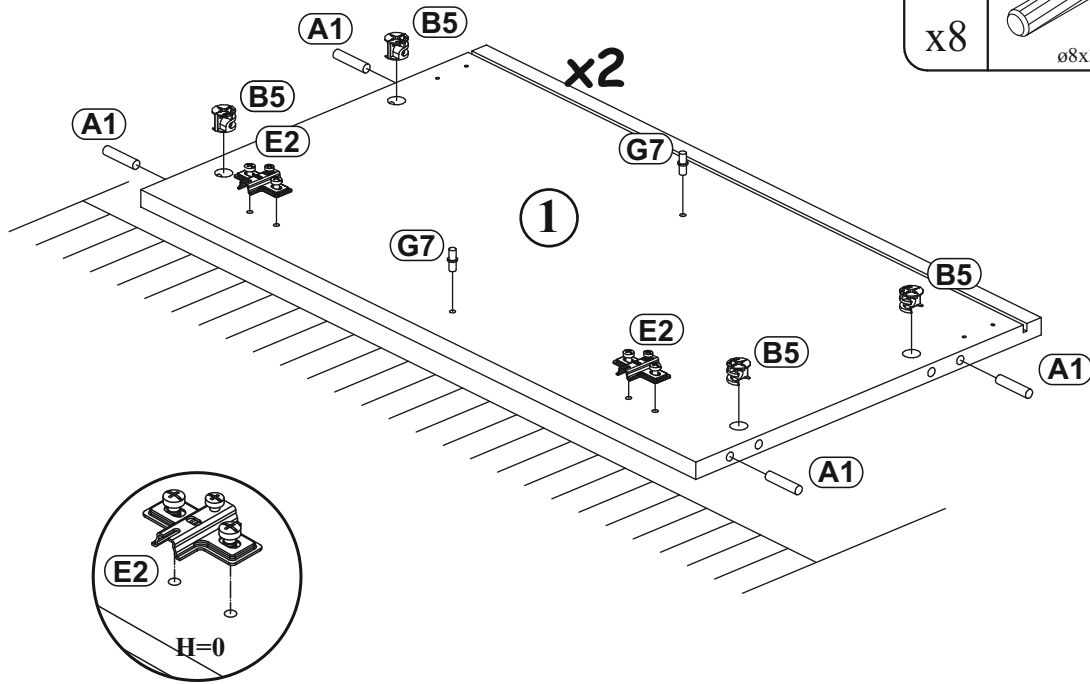
POINT TYP- SB II

1



POINT TYP- SB II

2



A1	
x8	ø8x36

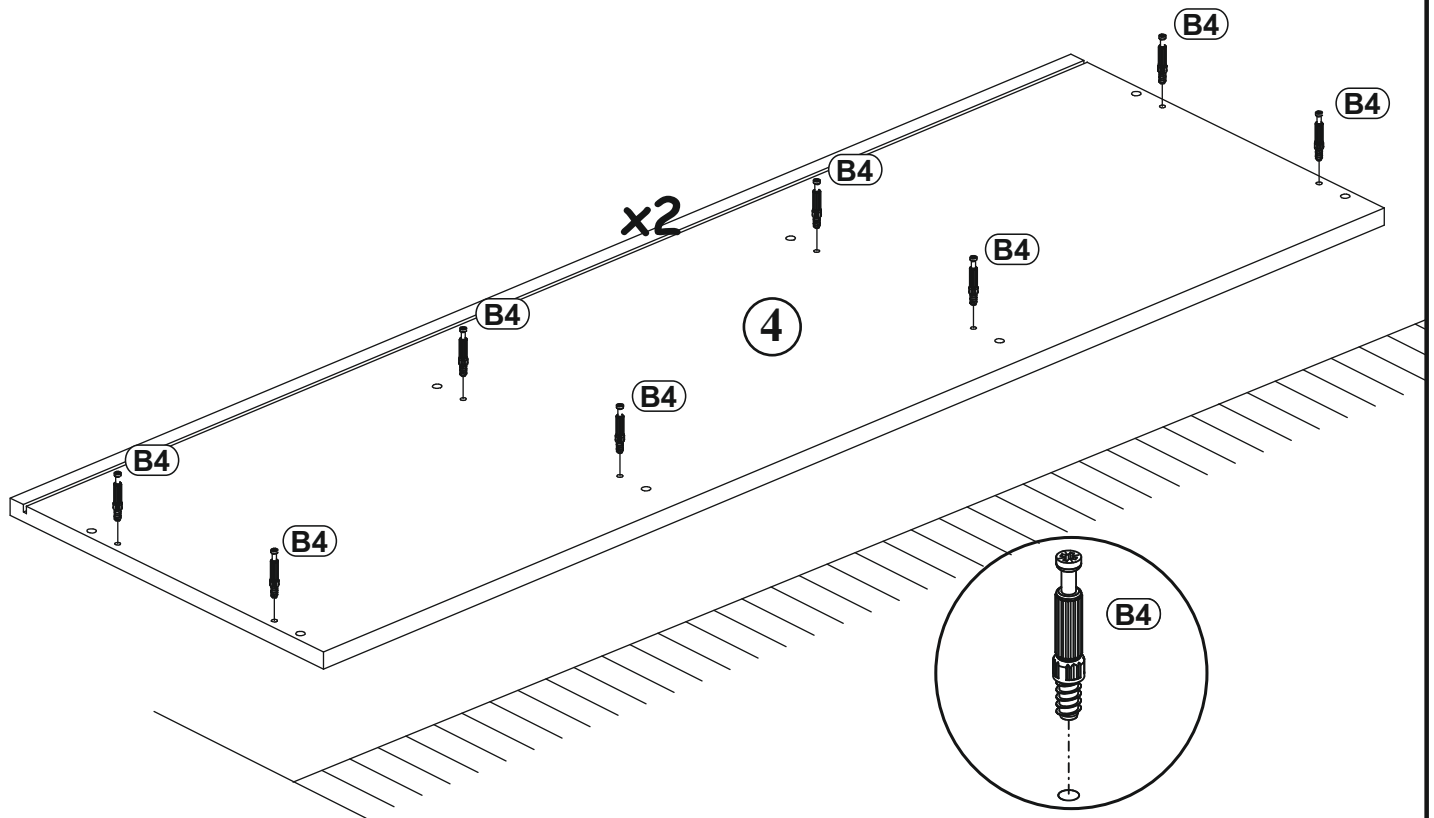
B5	
x8	ø15x12

G7	
x4	

E2	
x4	!!!! H=0

<del>E4</del>	<del></del>
<del>x2</del>	<del>!!!! H=2</del>

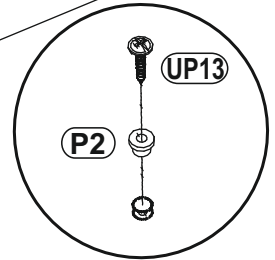
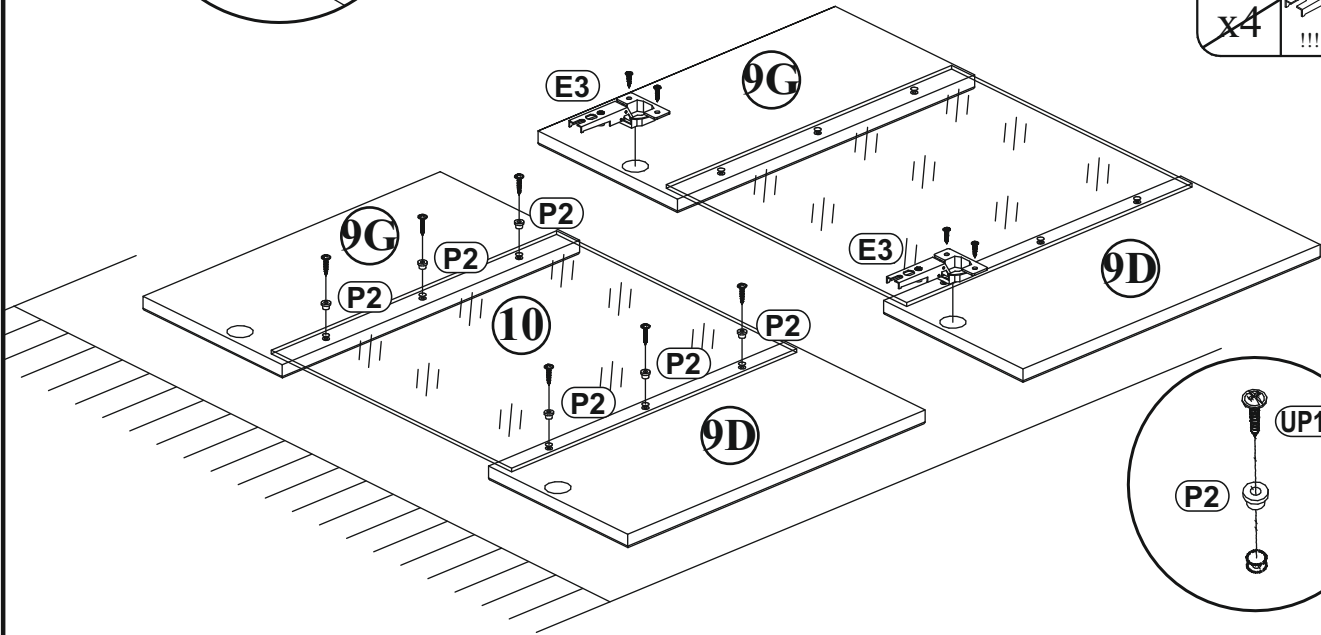
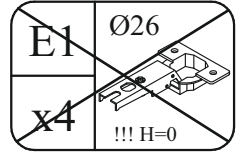
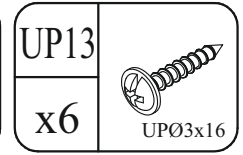
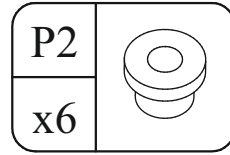
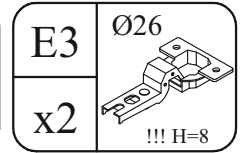
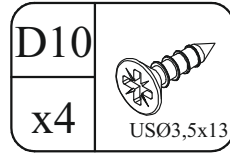
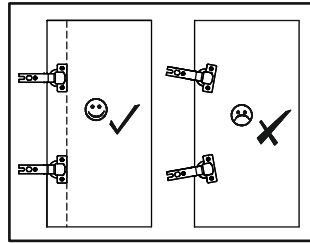
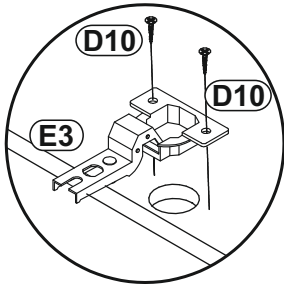
3



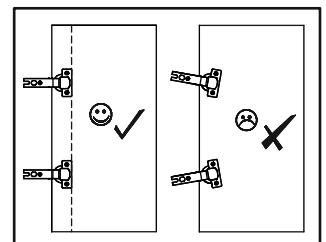
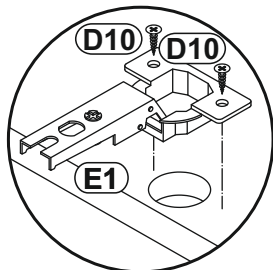
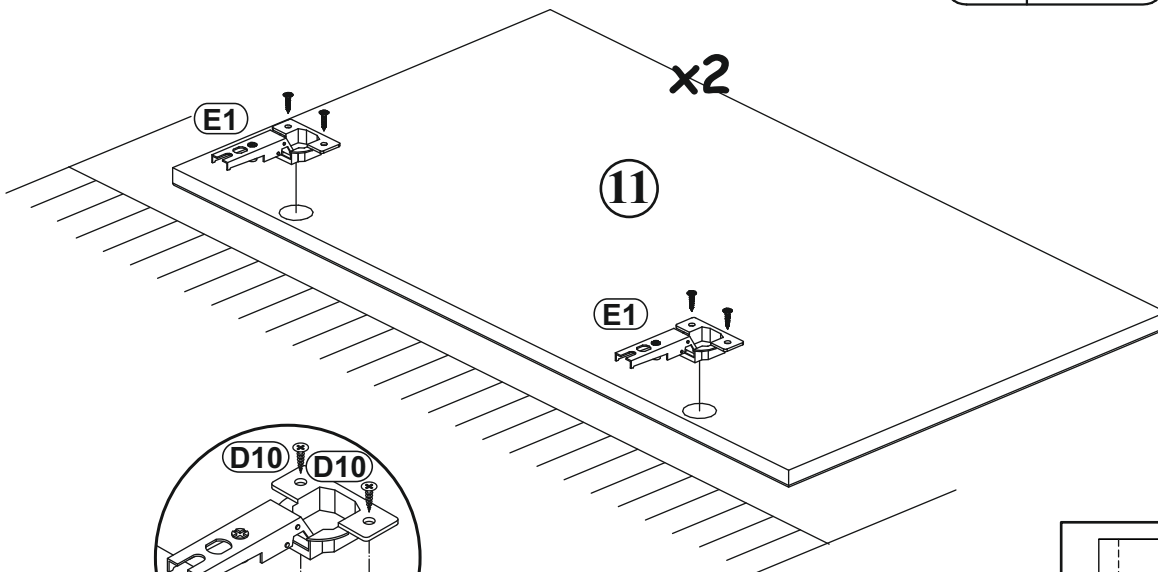
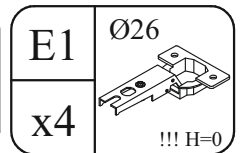
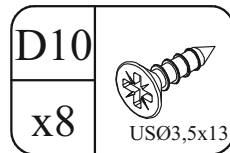
B4	
x16	

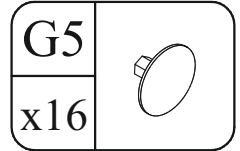
POINT TYP- SB II

4

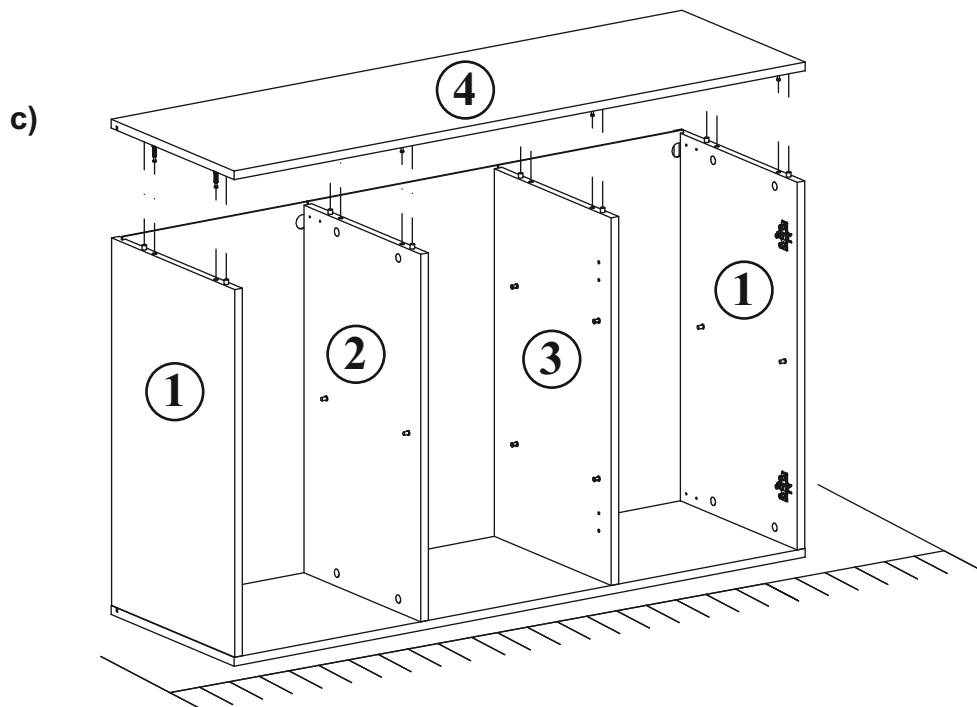
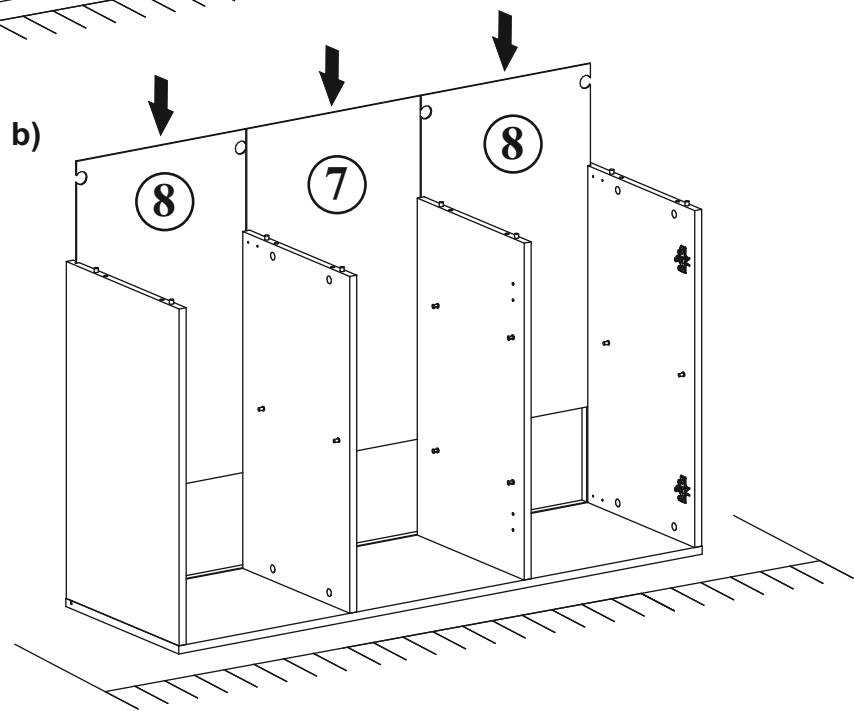
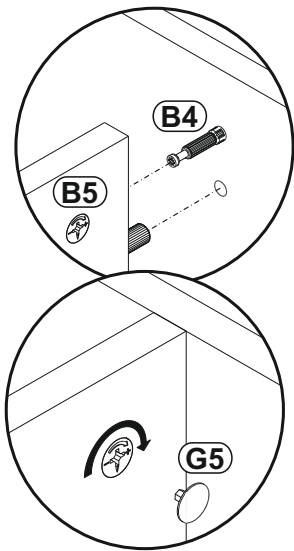
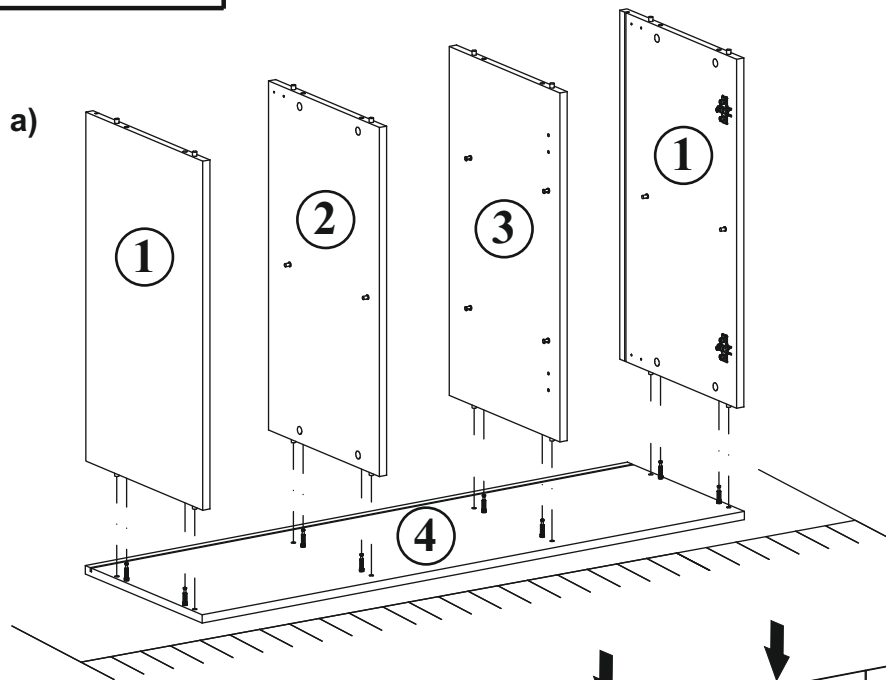


5



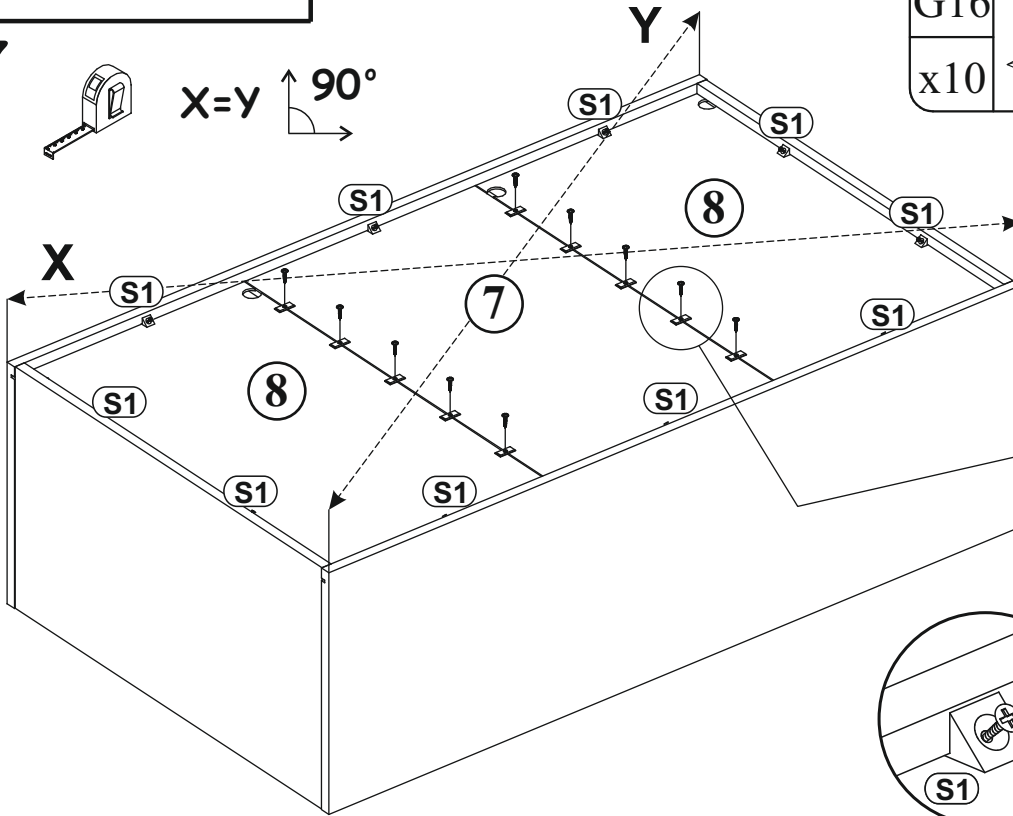
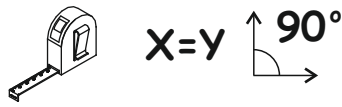


6



POINT TYP- SB II

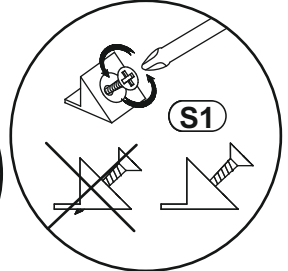
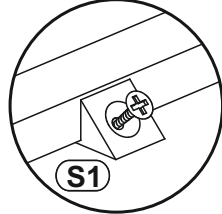
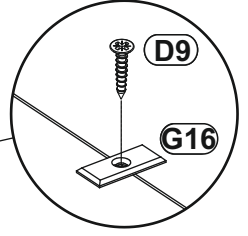
7



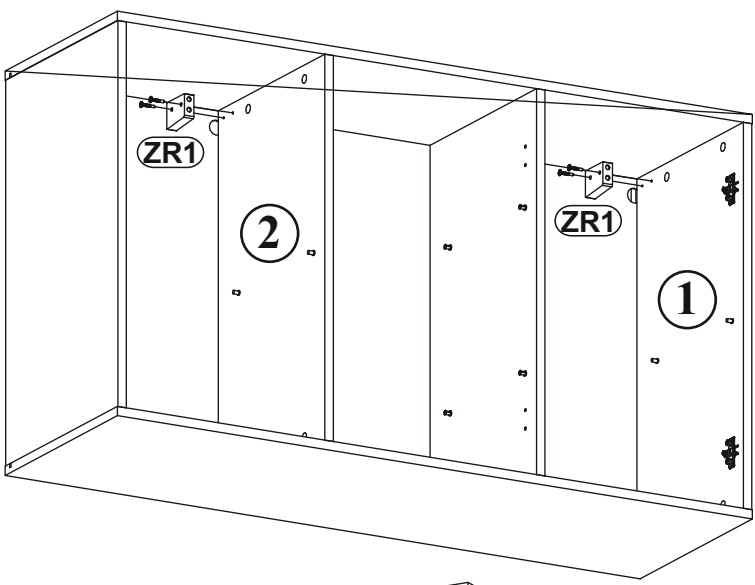
G16	
x10	

D9	
x10	USØ3x20

S1	
x10	

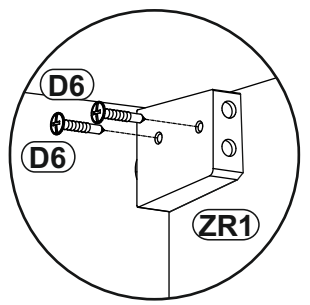
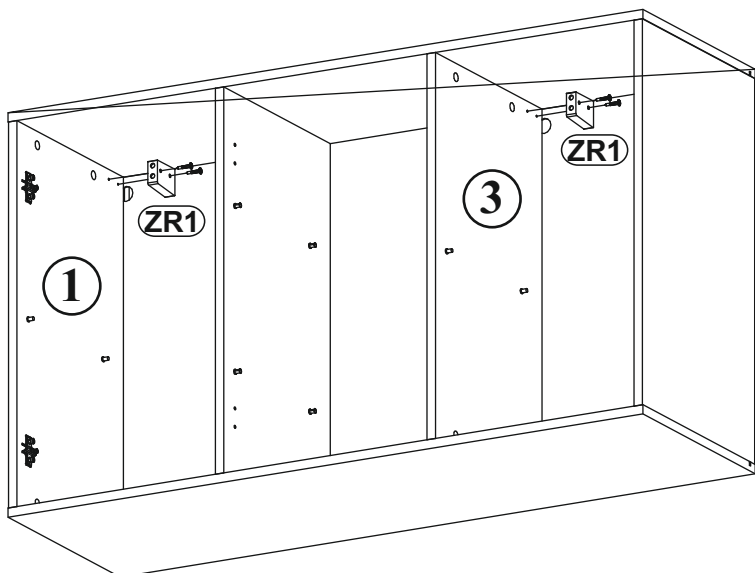
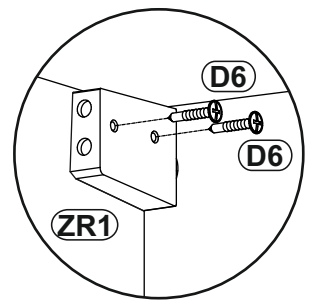


8



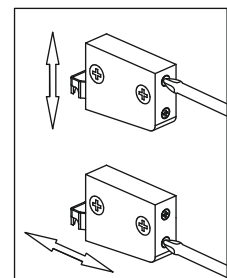
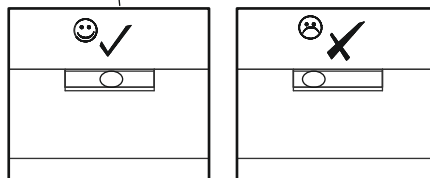
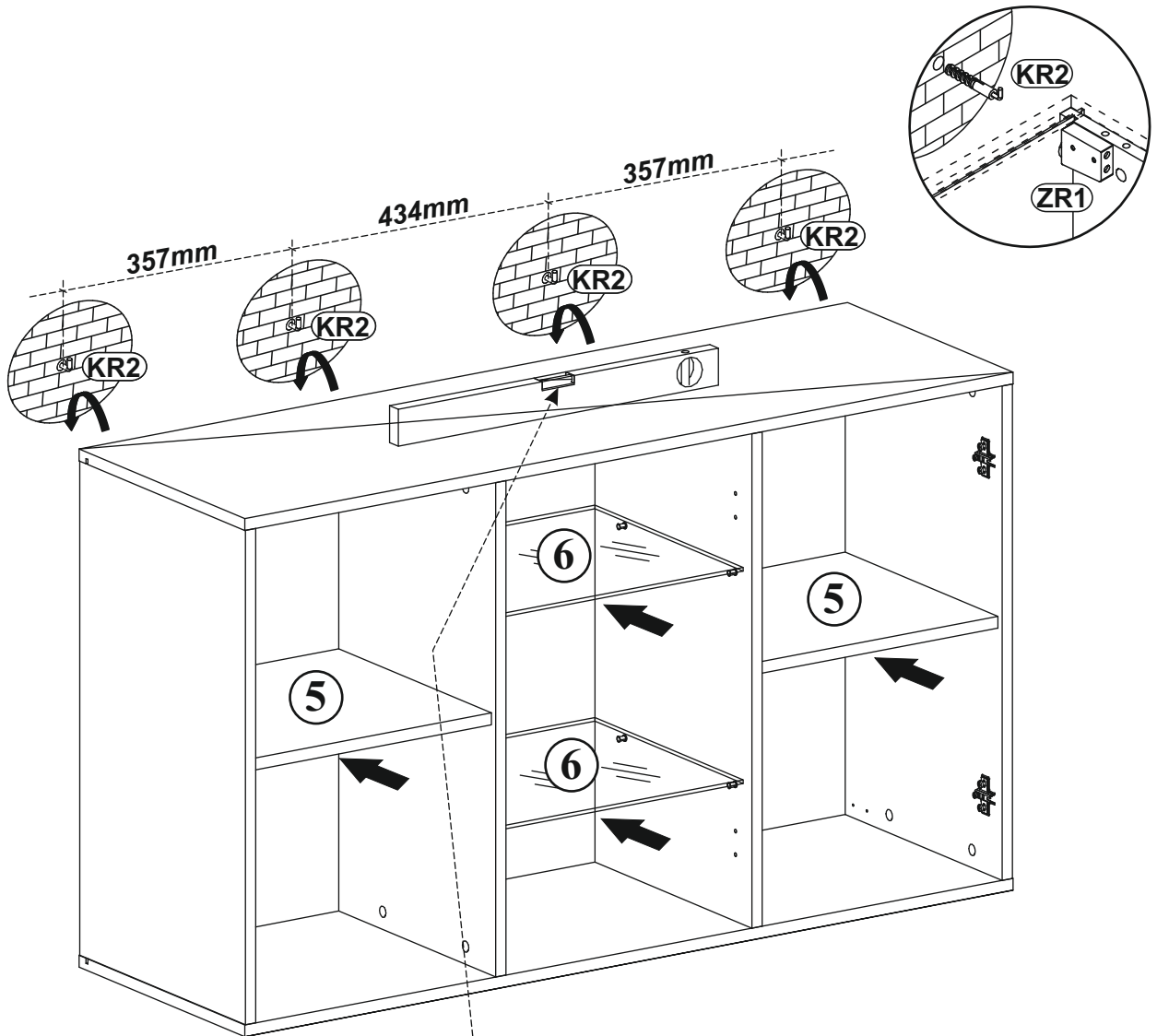
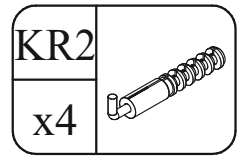
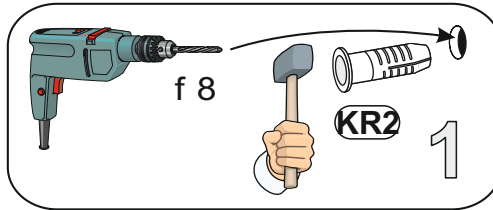
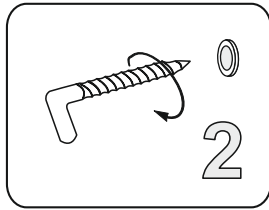
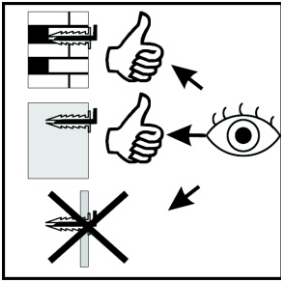
ZR1	
x4	

D6	
x8	USØ3,5x30



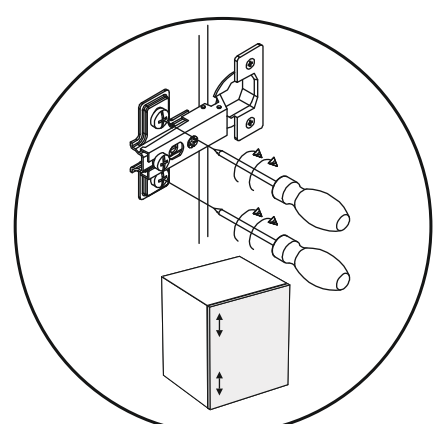
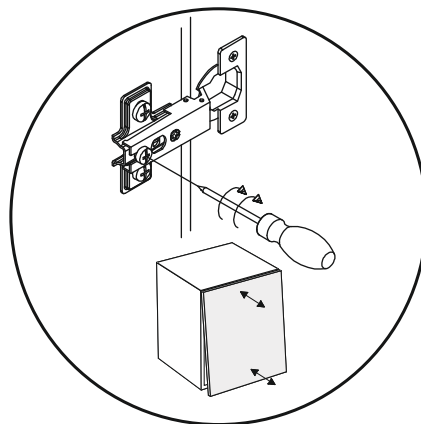
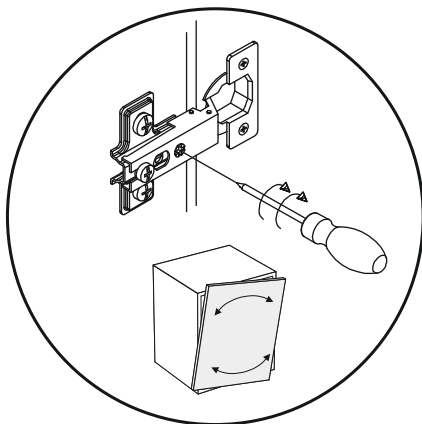
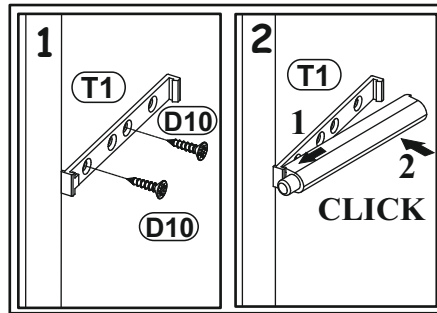
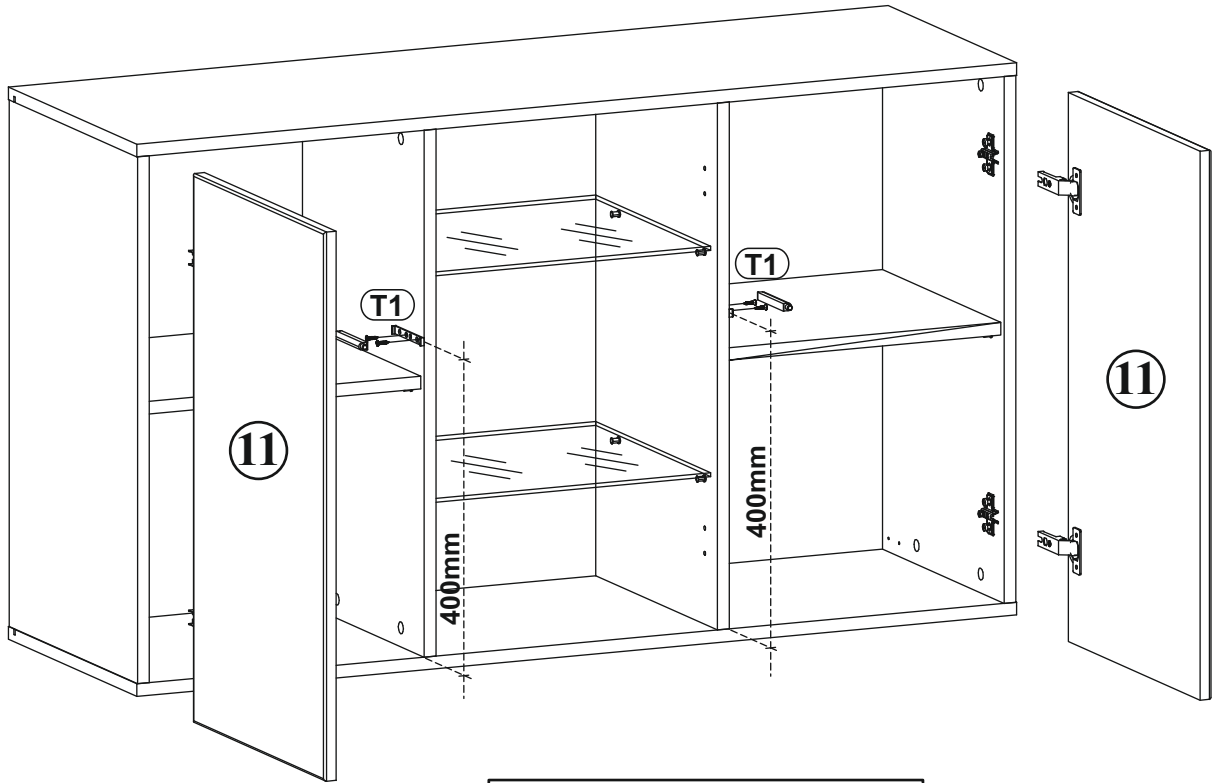
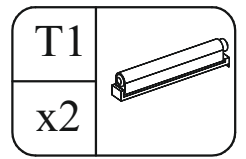
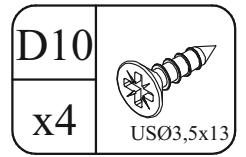
POINT TYP- SB II

9

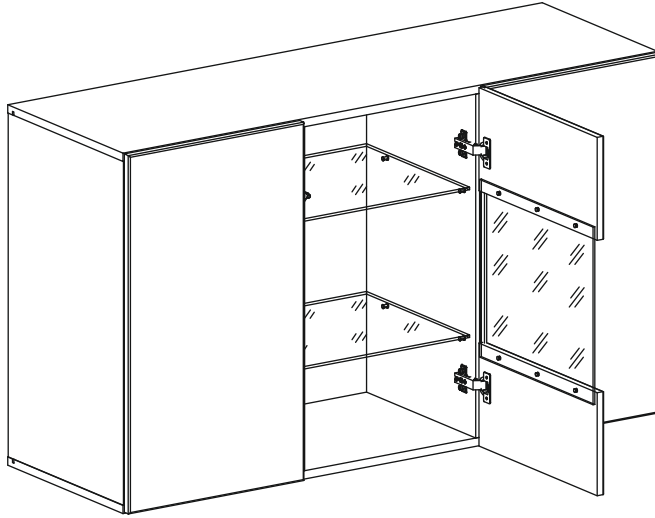




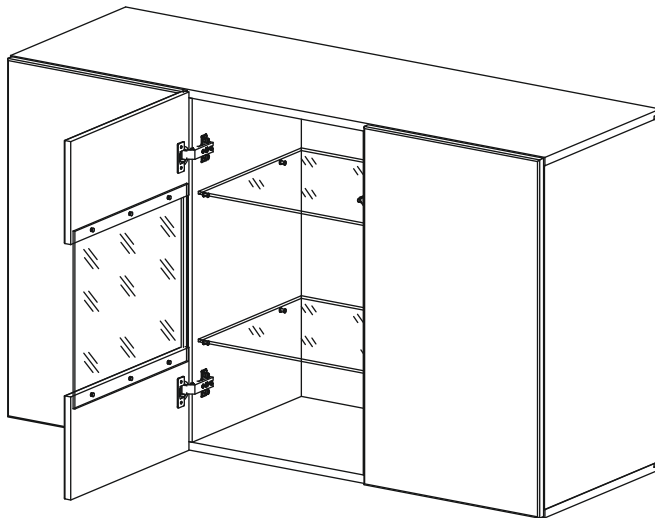
10



11 - 12

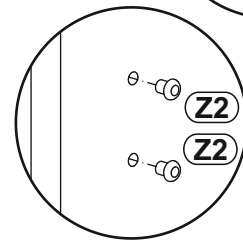
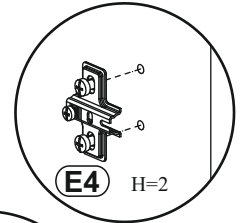
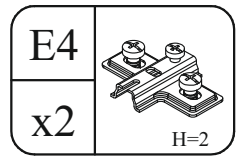
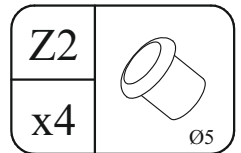
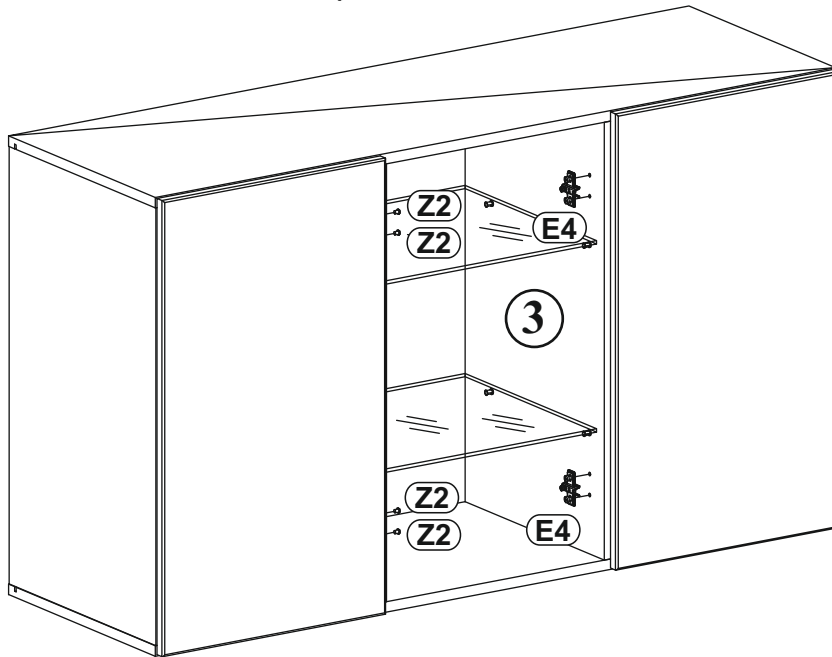
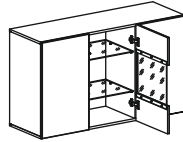


13 - 14

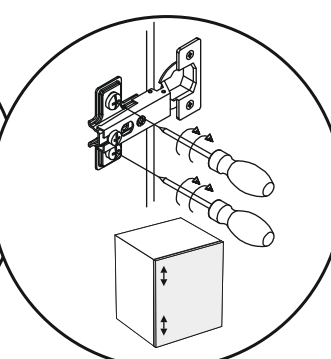
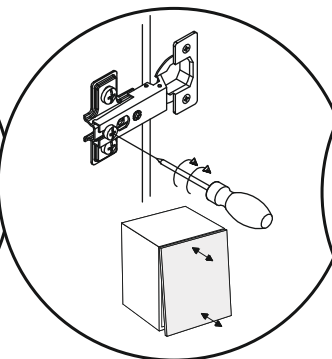
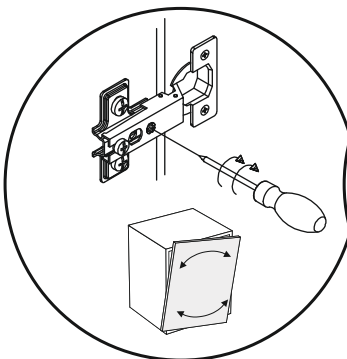
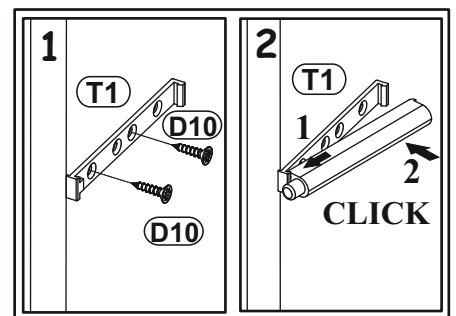
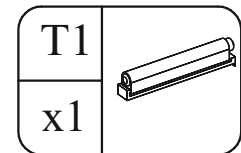
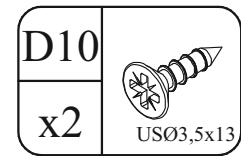
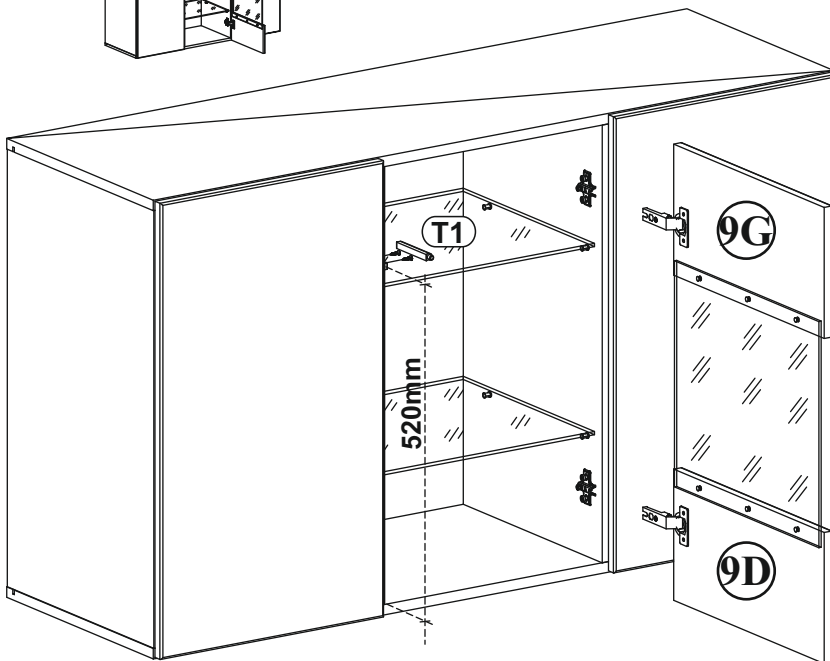
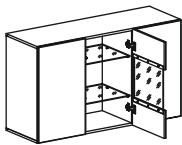


POINT TYP- SB II

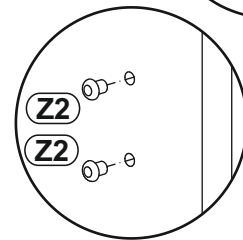
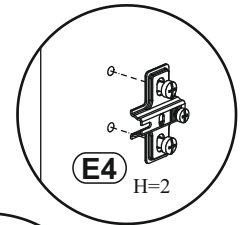
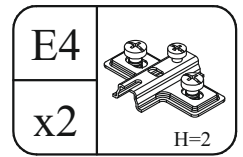
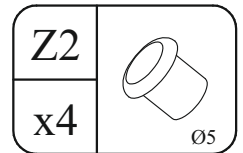
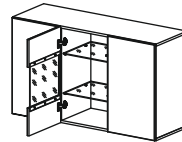
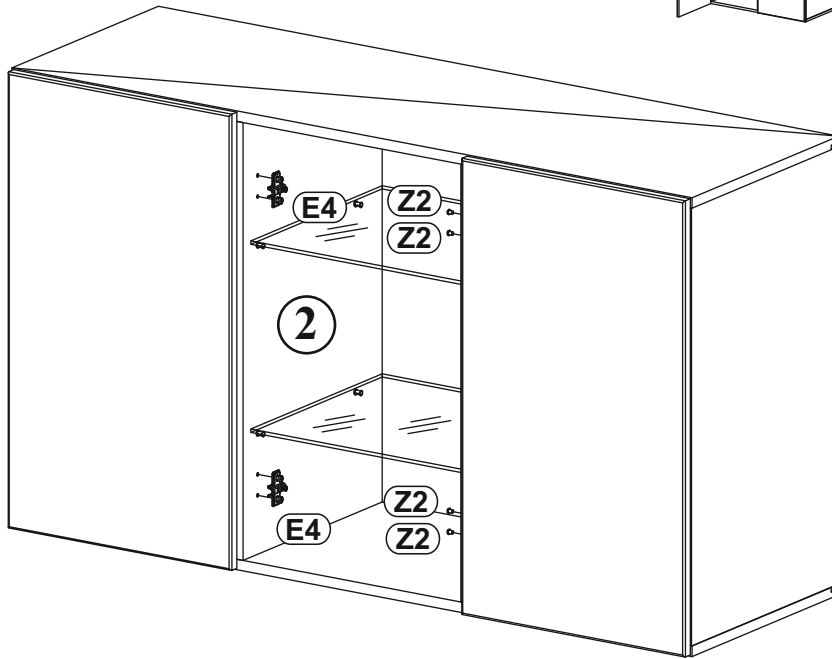
11



12



13



14

