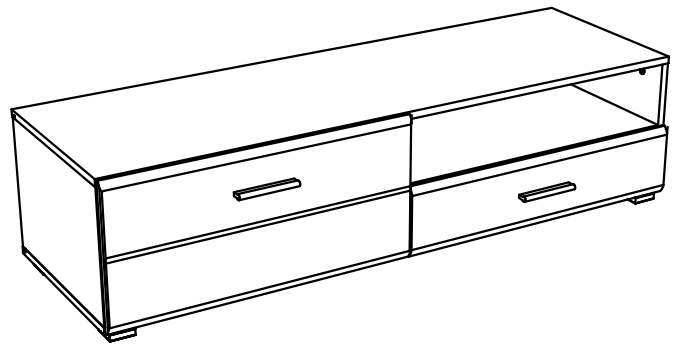
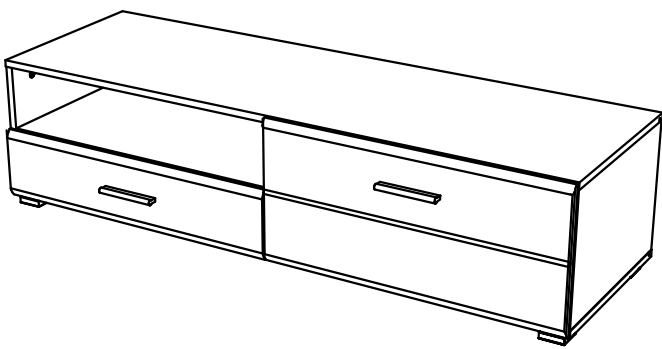
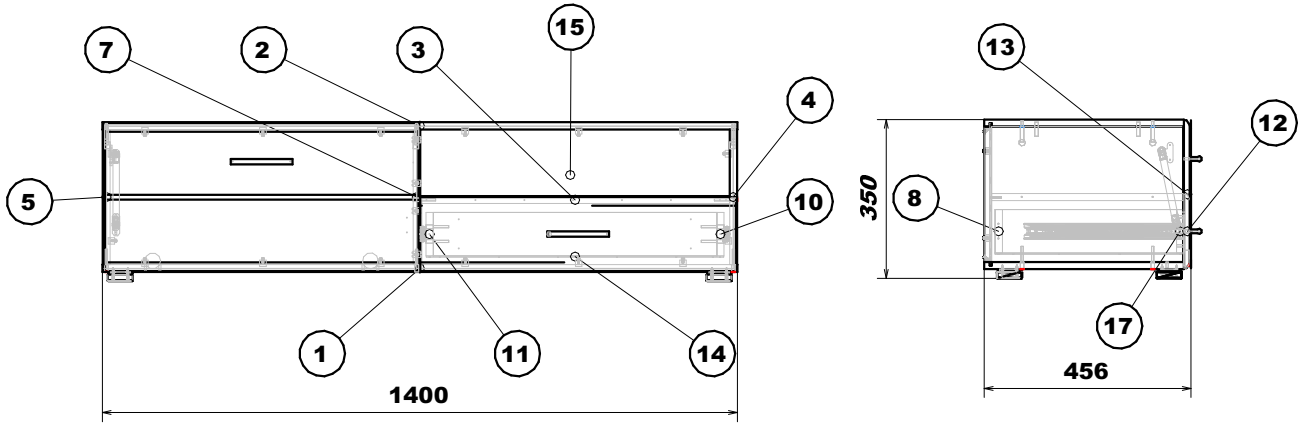
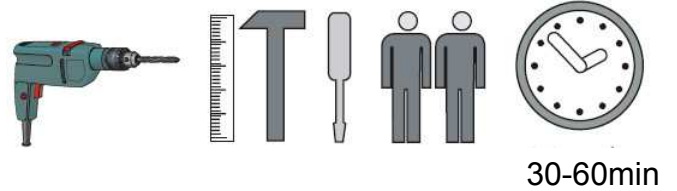


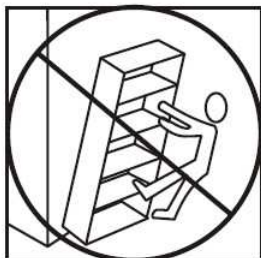
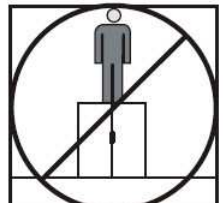
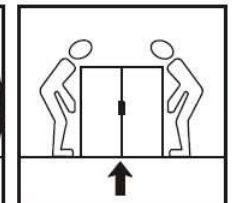
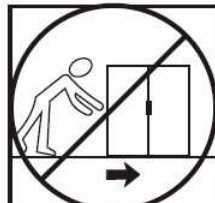
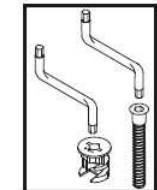
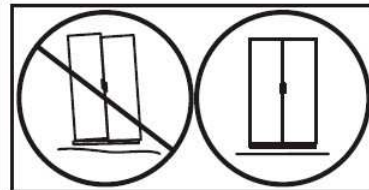
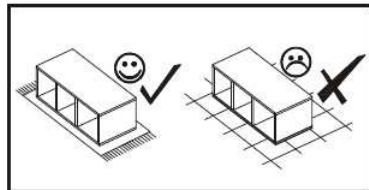
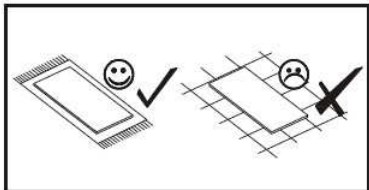
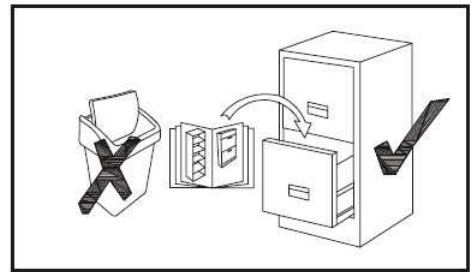
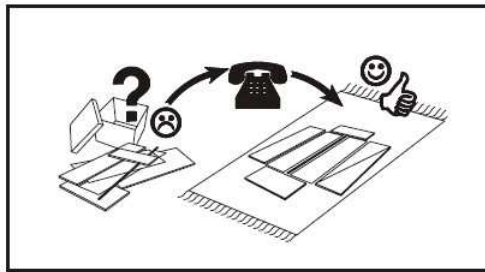
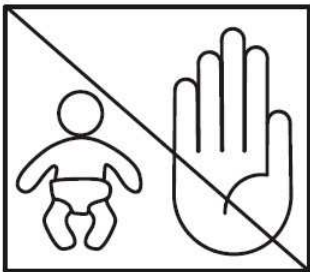
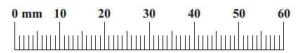
TV140 " GLOSS "

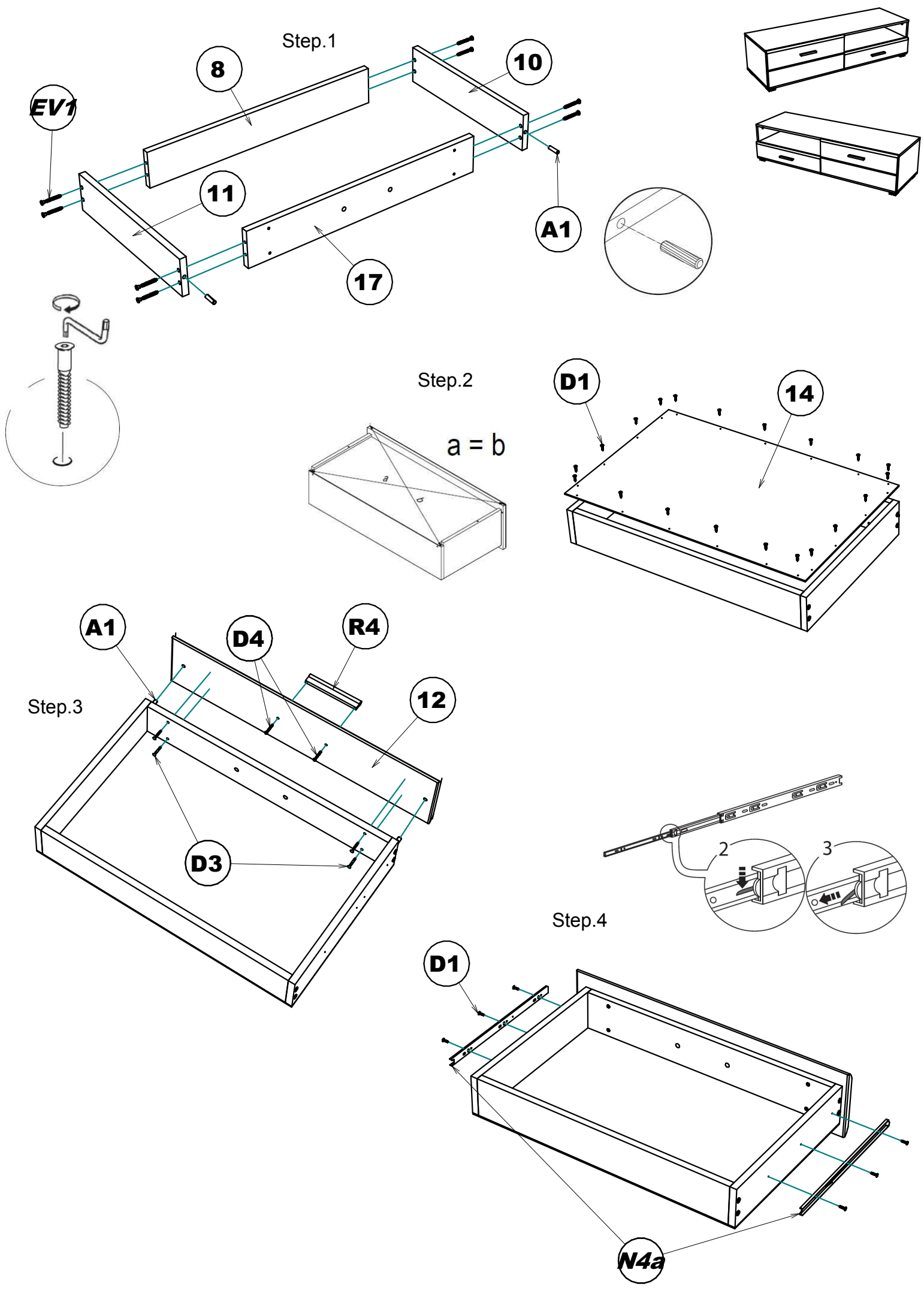


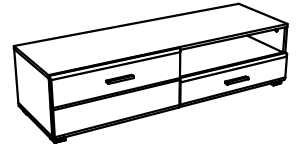
No	Dim			Qty
1	1400	443	16	1
2	1400	443	16	1
3	675	426	16	1
4	298	442	16	1
5	298	442	16	1
7	298	426	16	1
8	618	96	16	1
10	416	96	16	1
11	416	96	16	1
17	618	96	16	1
12	169	690	16	1
13	326	701	16	1
14	656	416	3	1
15	313	691	3	2



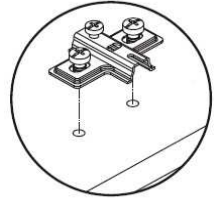
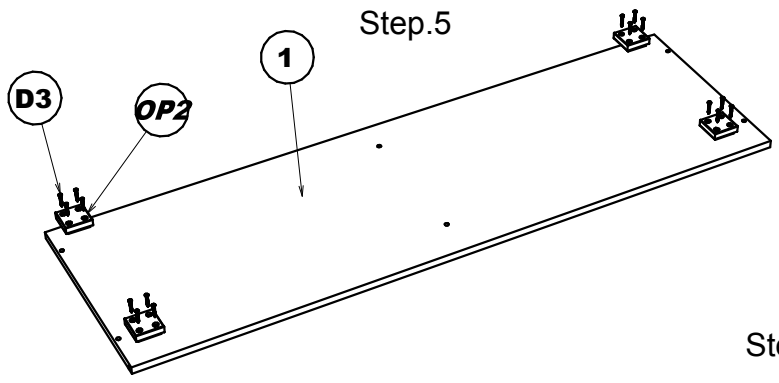
KS4 x1 S4		N4 x1 350		D1 x38 3,5x16		D3 x20 3,5x30	
EV1 x16 7x50		EV3 x4 6,3x13		D4 x4 4x30		FZ x16	
S1 x8		ZS x14 Ø18		R4 x2 C-24 (128)		OP2 x4	
GL x1		PN x2		GV x10 1,6x25		KR x4	
A1 x10 Ø8x30		D5 x4 3,5x20		AS x4			



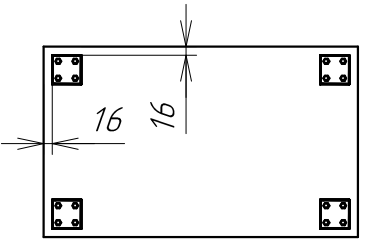
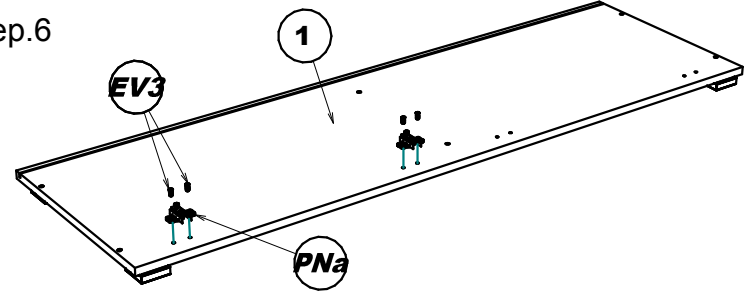




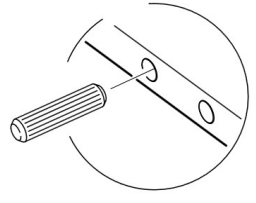
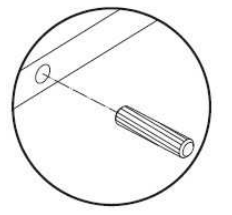
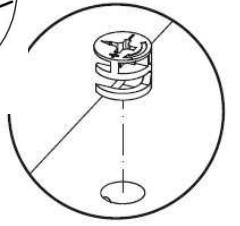
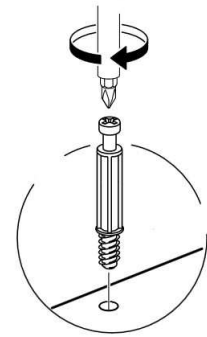
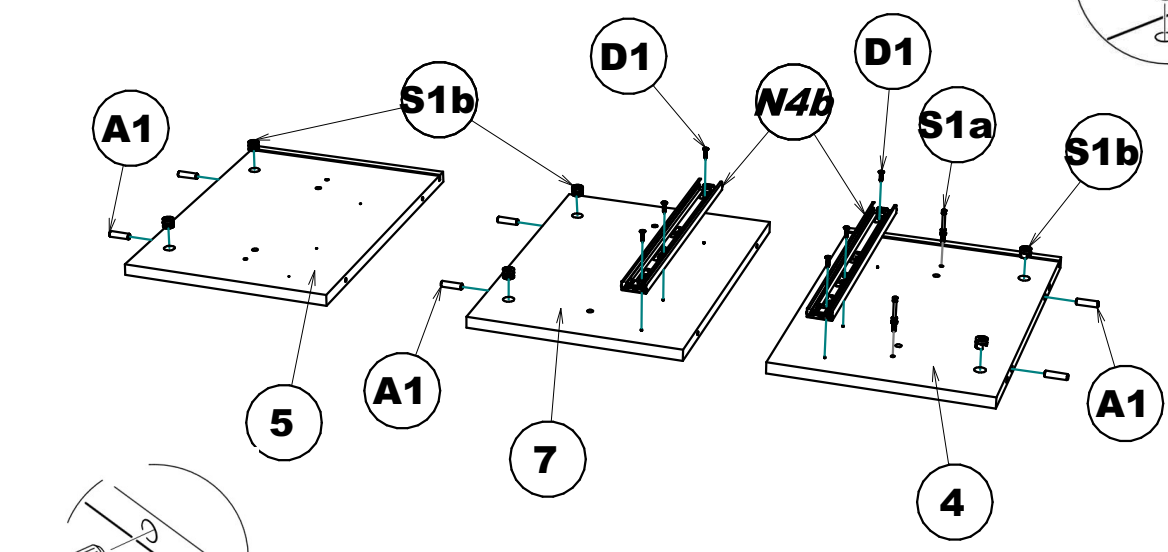
Step.5



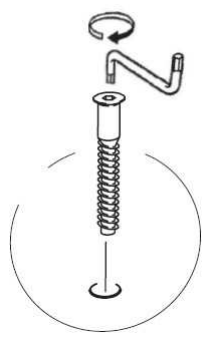
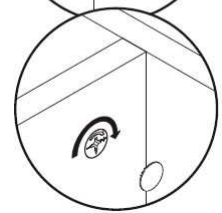
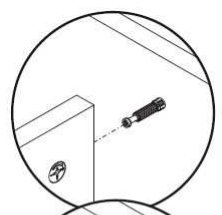
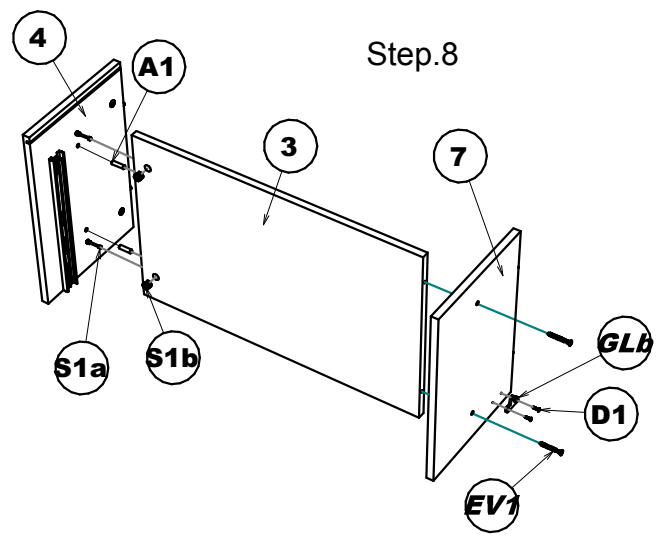
Step.6

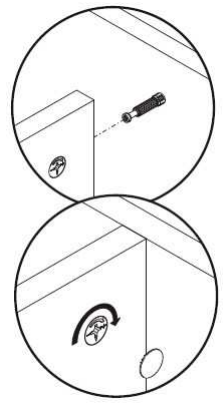
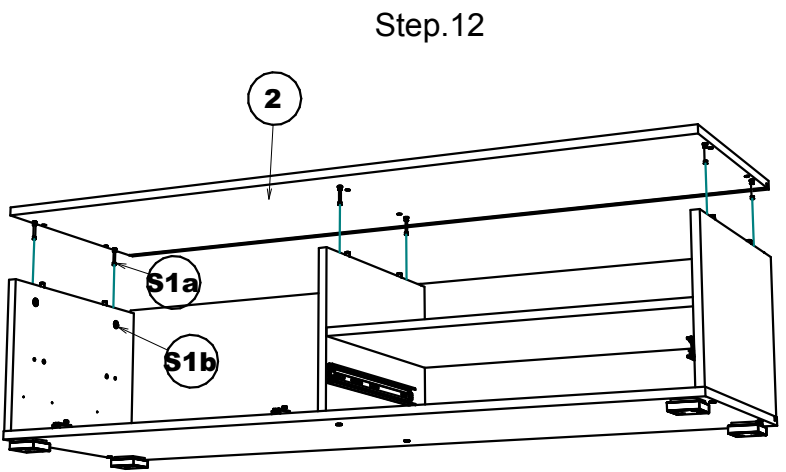
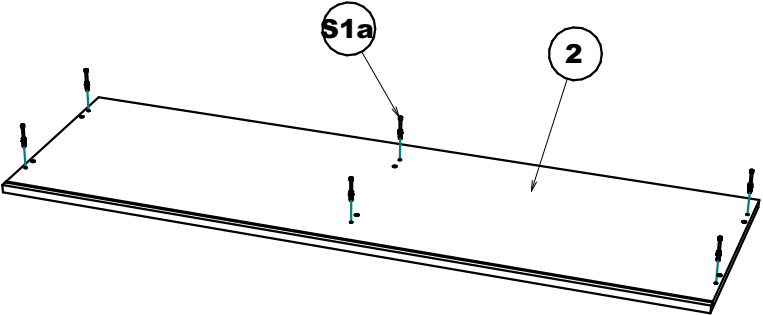
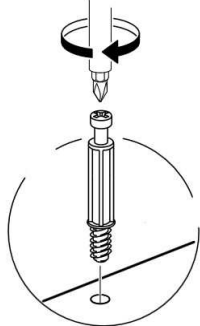
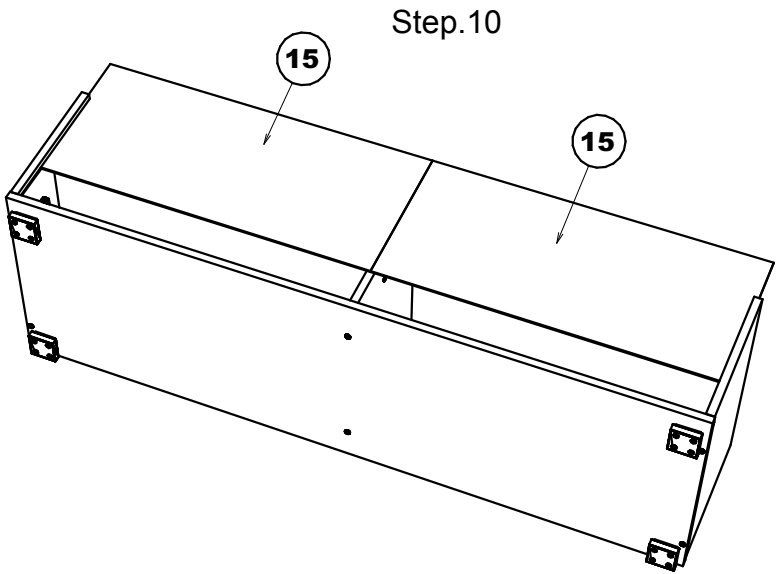
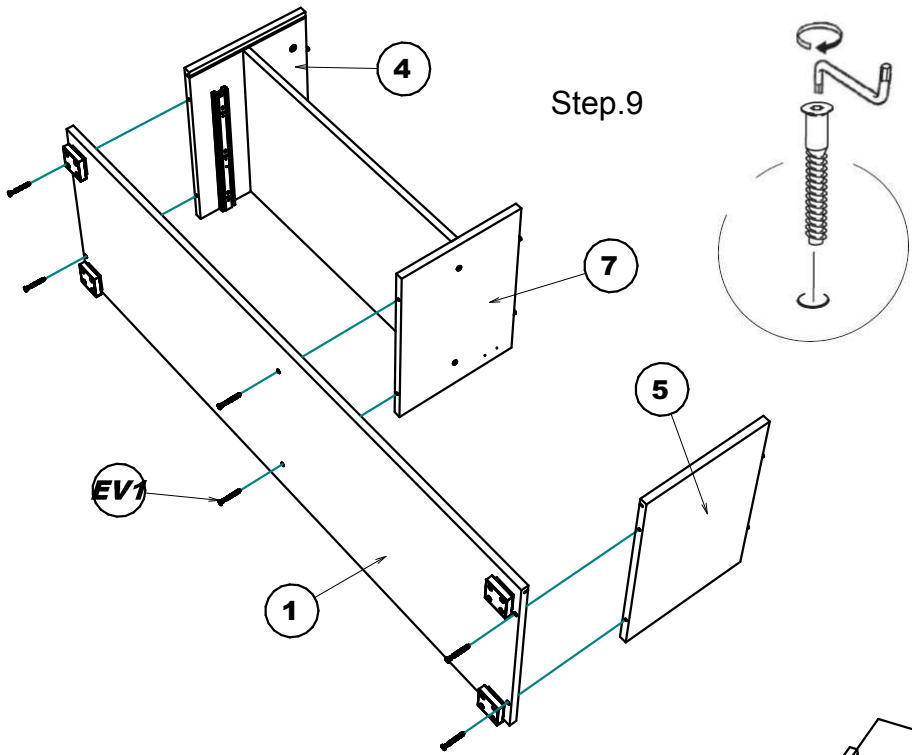
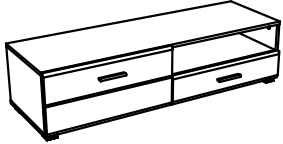


Step.7

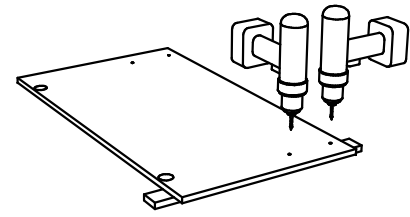
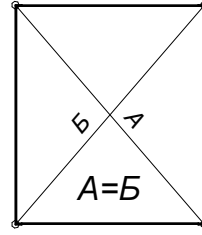
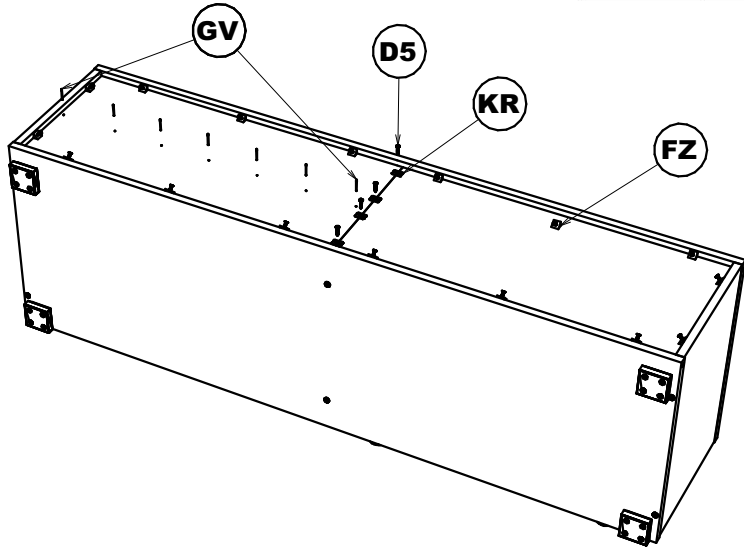
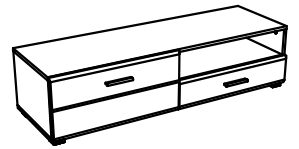
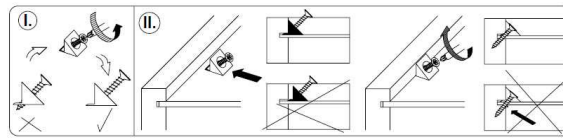


Step.8

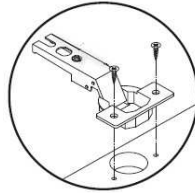
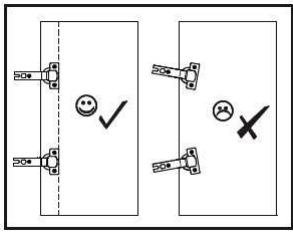
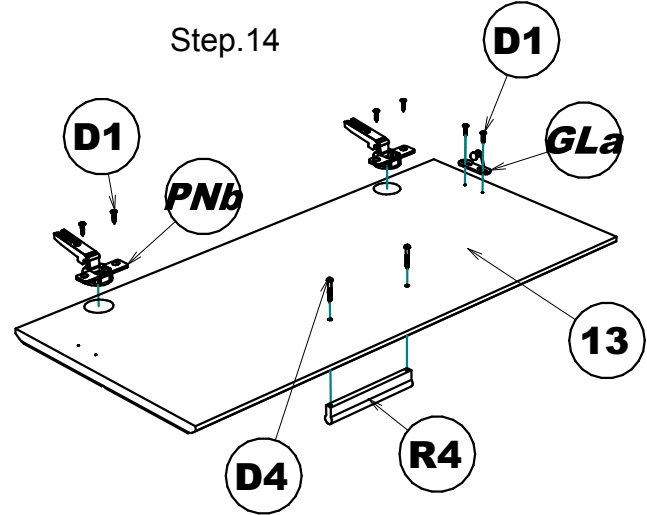




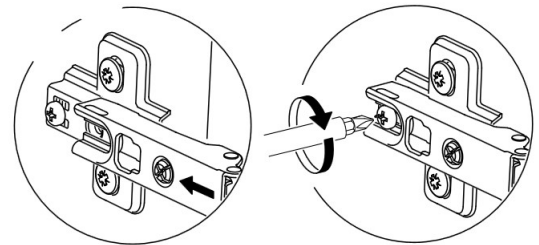
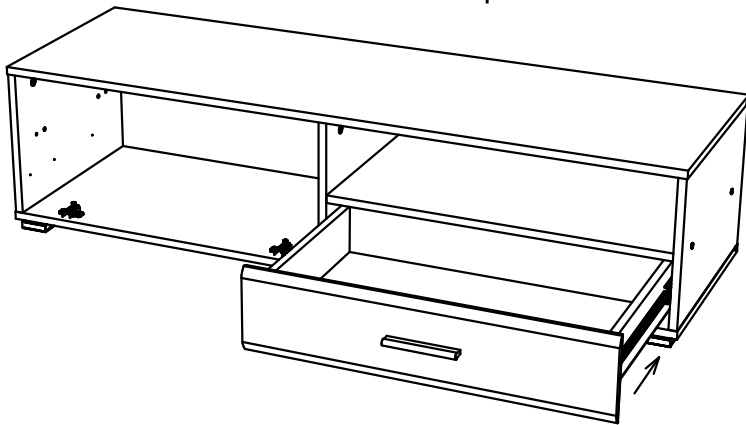
Step.13



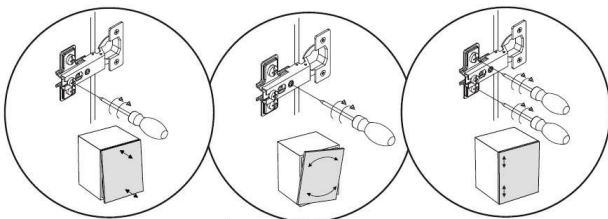
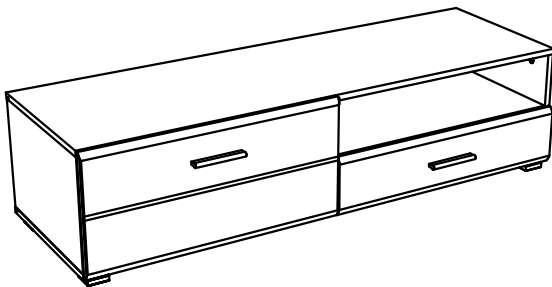
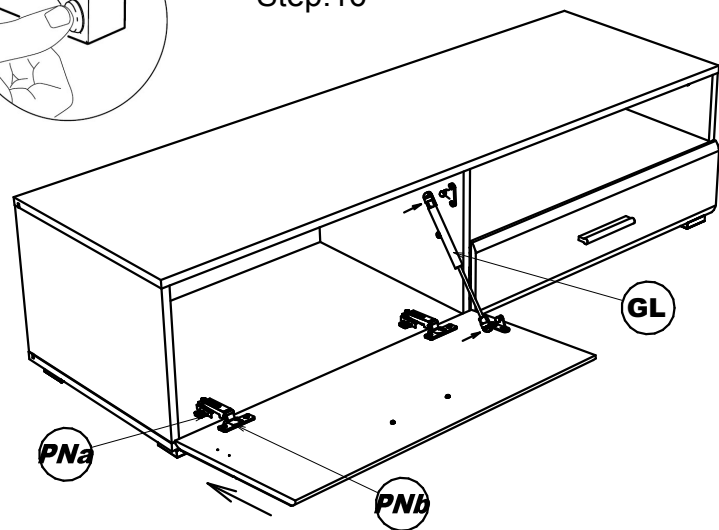
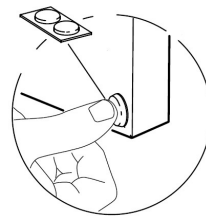
Step.14

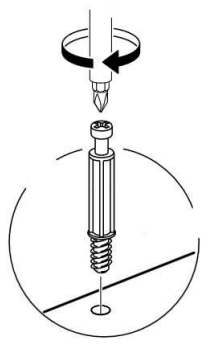
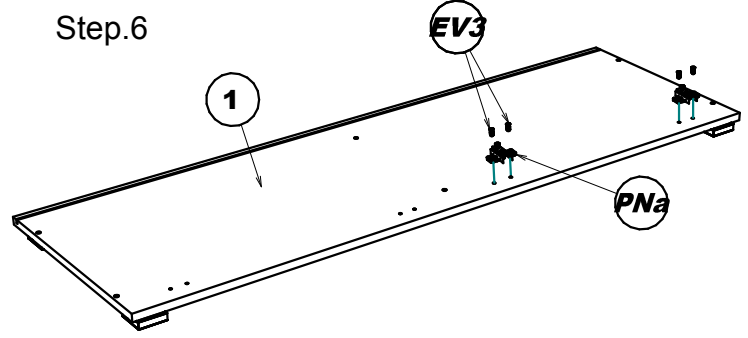
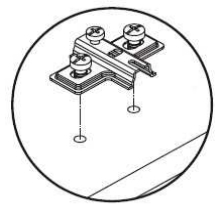
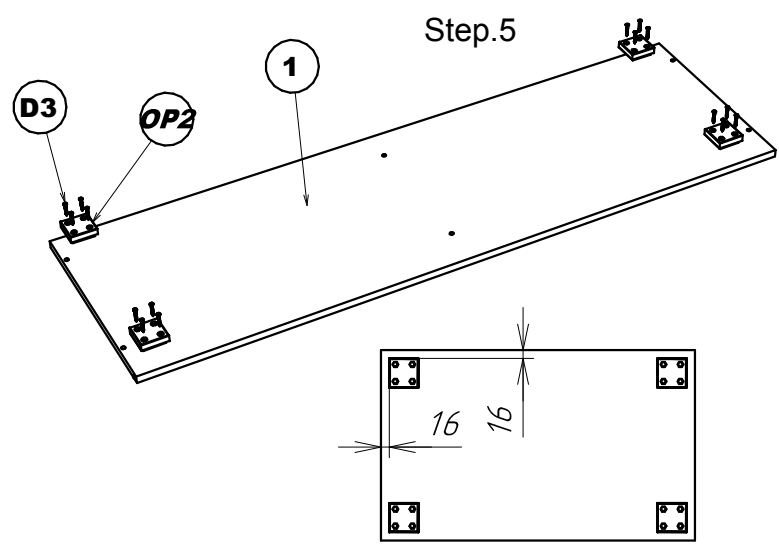
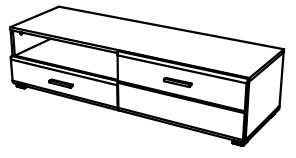


Step.15

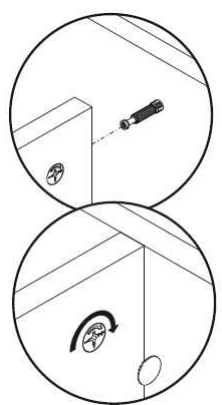
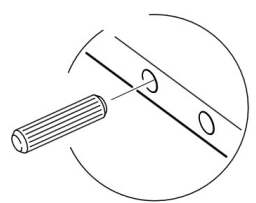
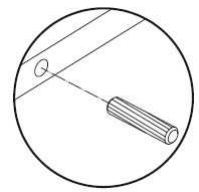
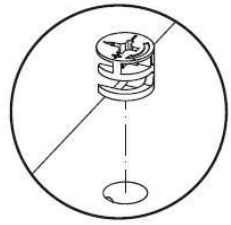
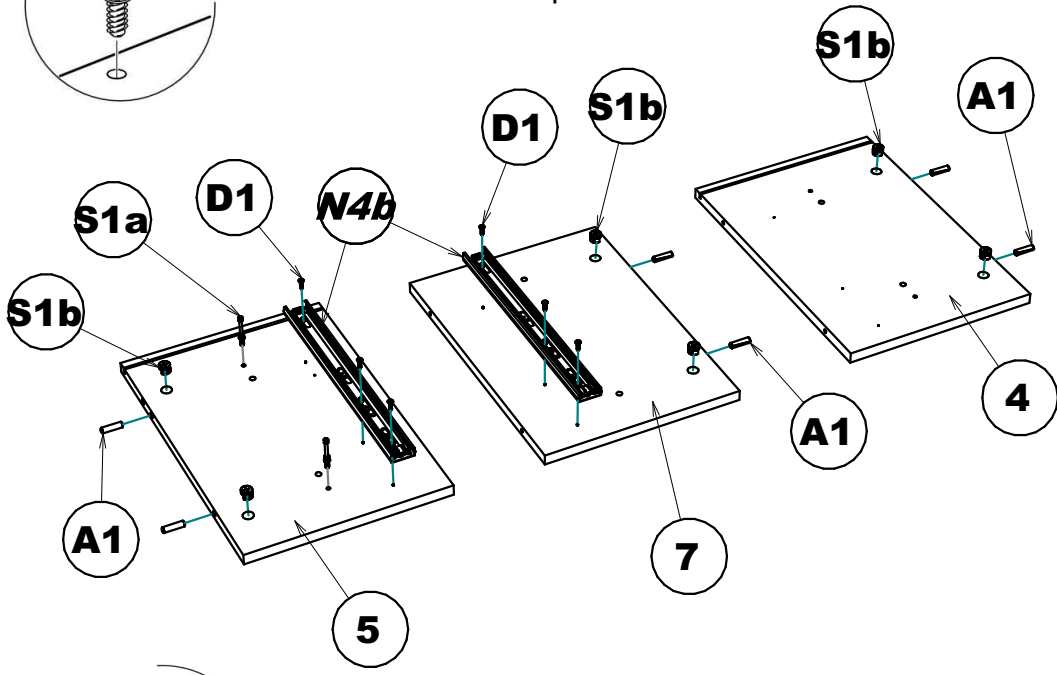


Step.16

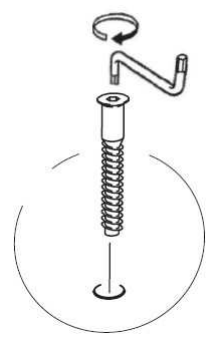
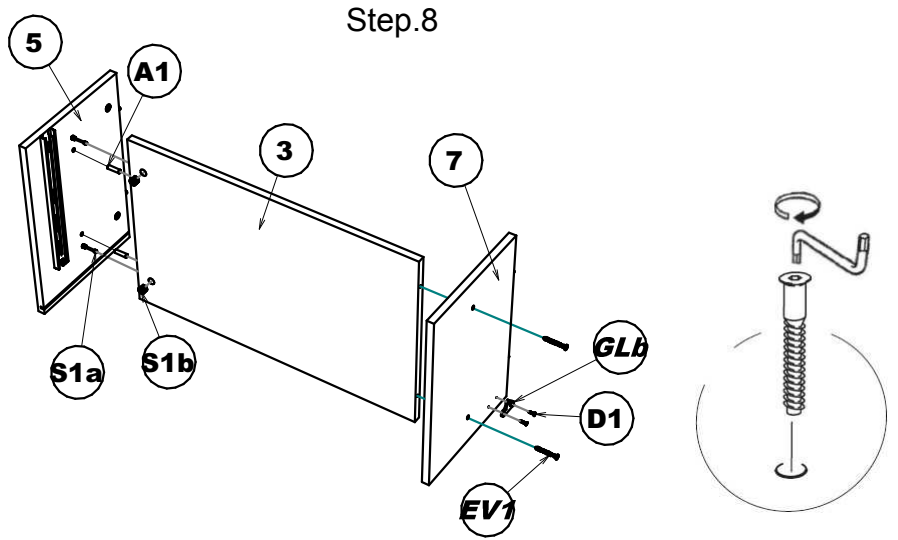


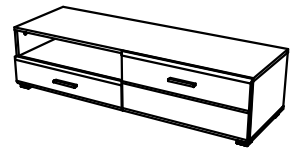


Step.7

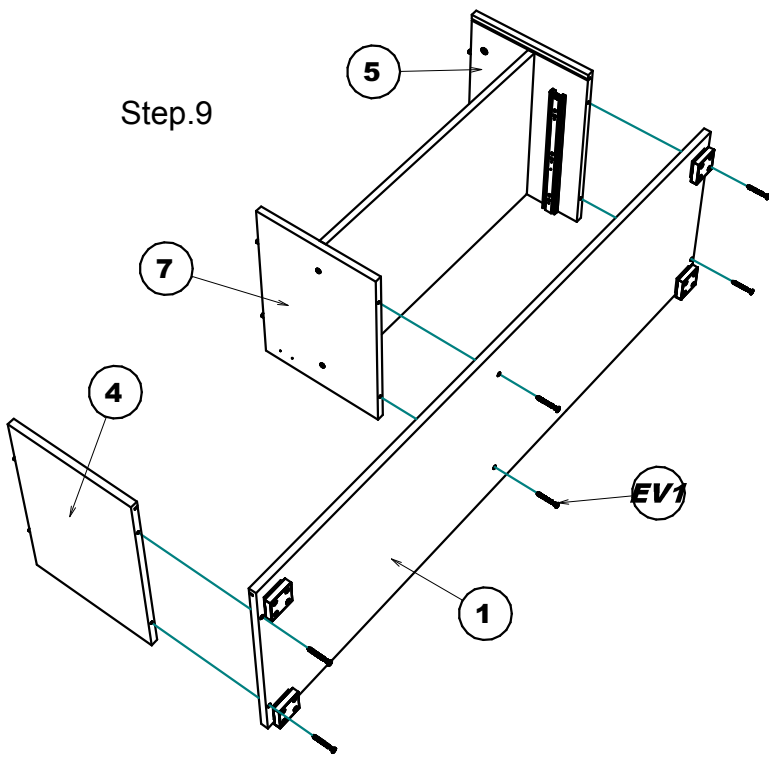


Step.8

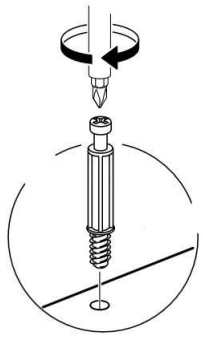
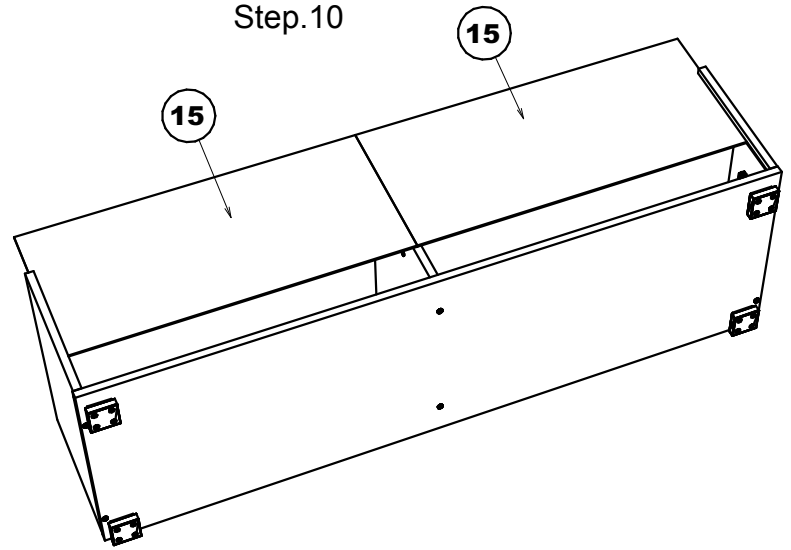




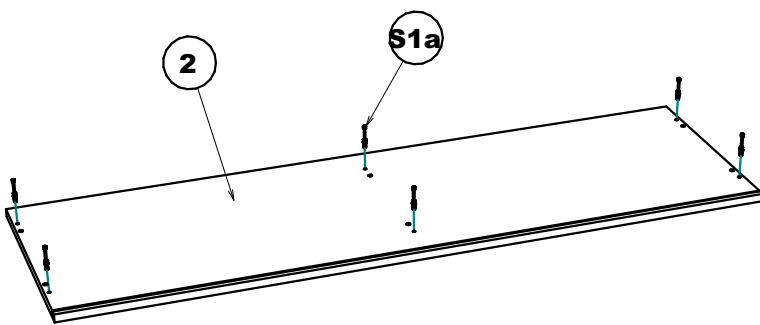
Step.9



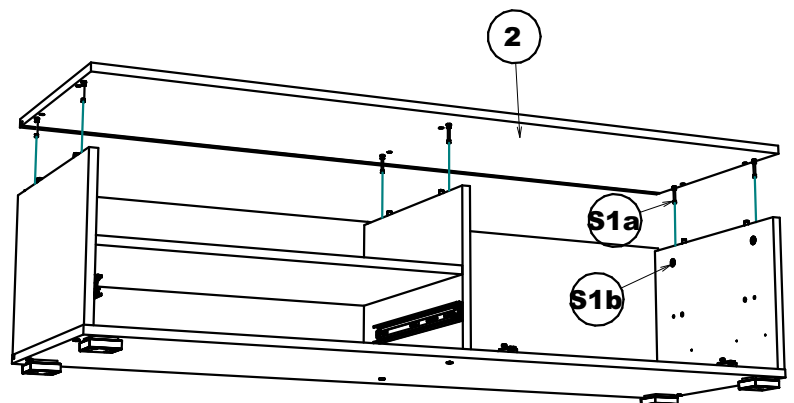
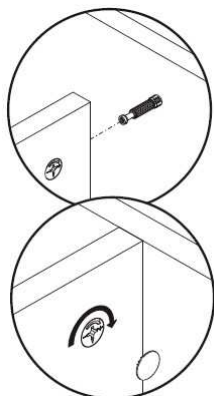
Step.10

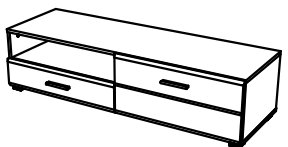
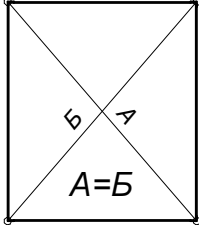
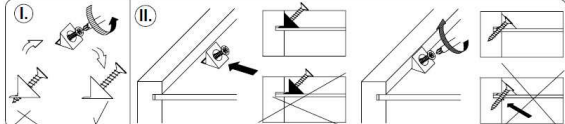


Step.11

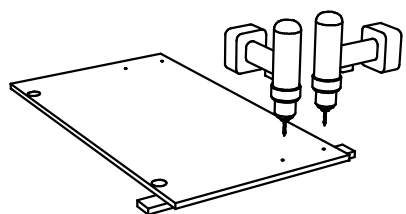
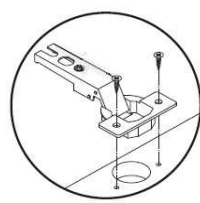
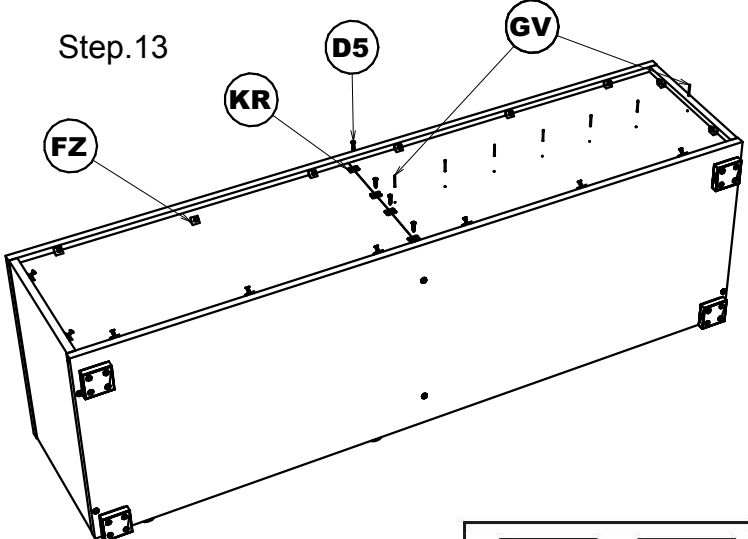


Step.12

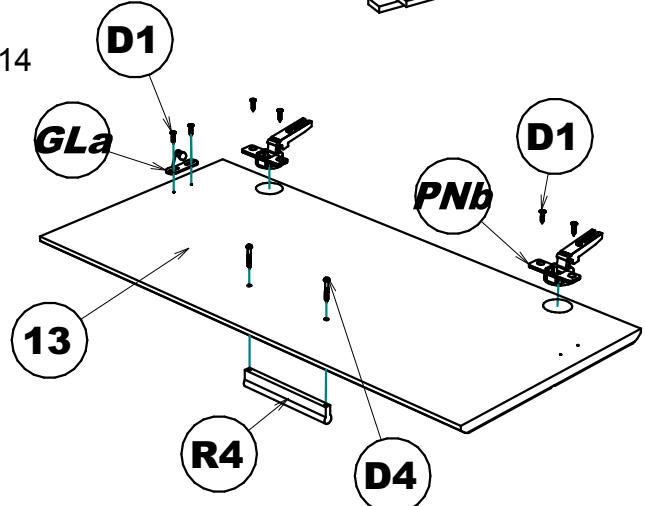
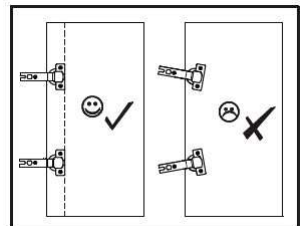




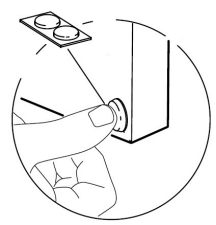
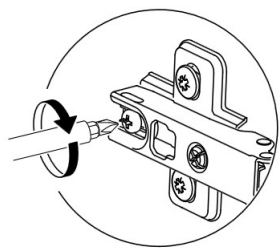
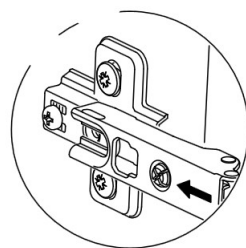
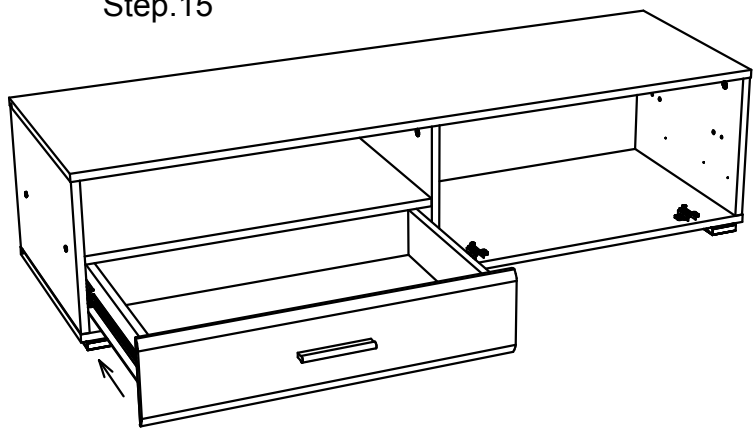
Step.13



Step.14



Step.15



Step.16

