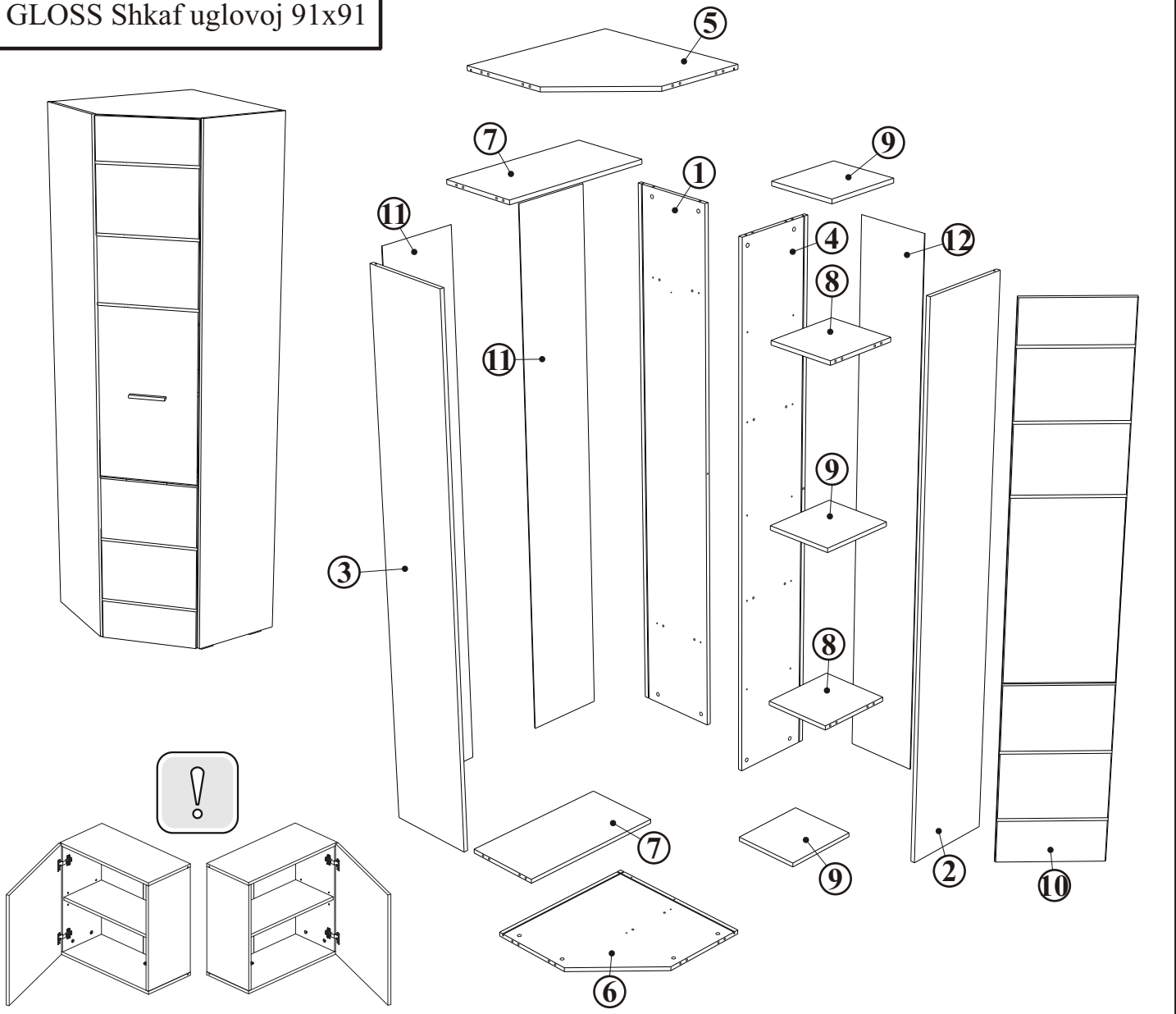


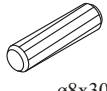
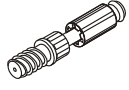


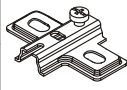
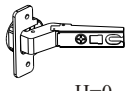
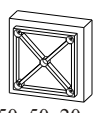

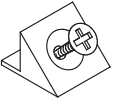
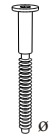
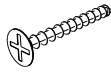


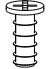


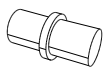
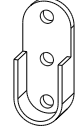
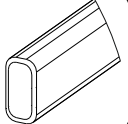
GLOSS Shkaf uglovoj 91x91

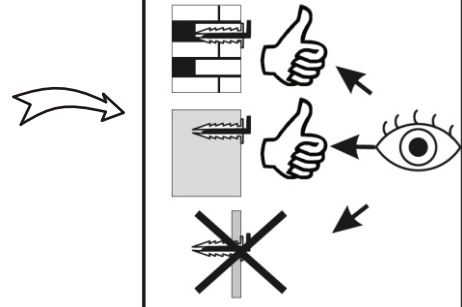
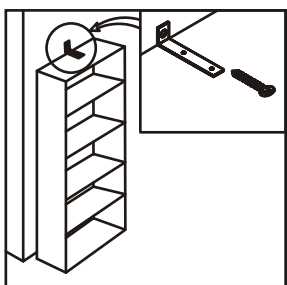
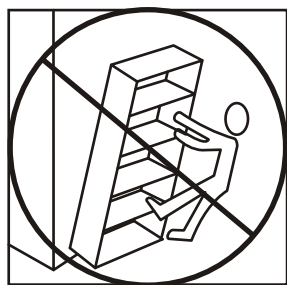
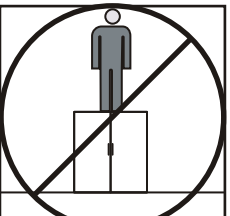
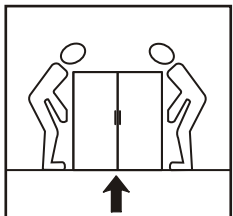
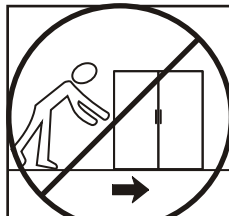
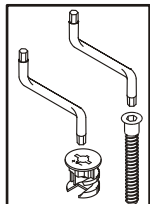
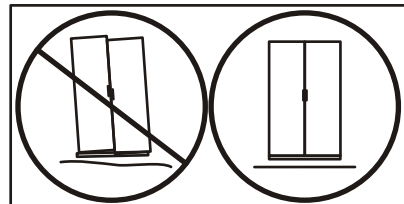
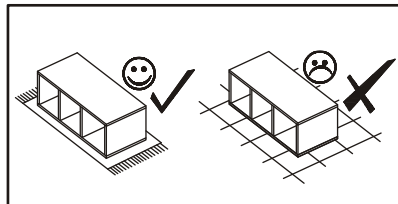
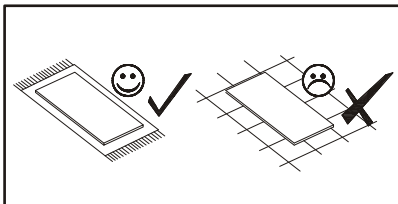
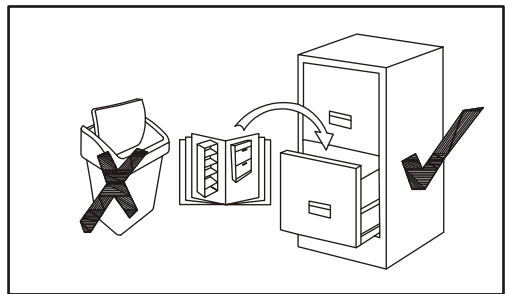
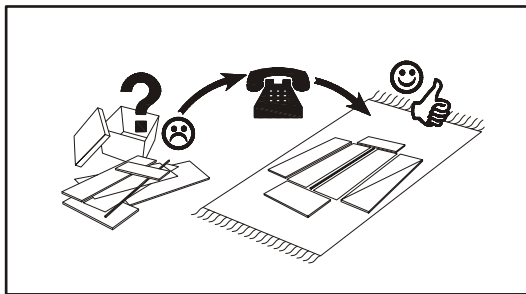
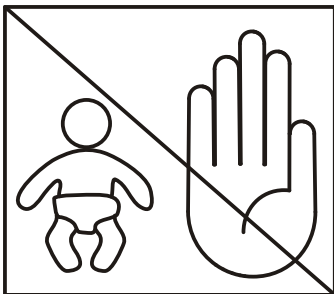
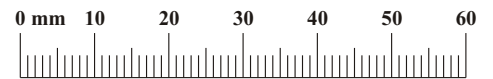


NO	Dim.		Col.-No	Qty
1	1996	524	3	1
2	2030	540	1	1
3	2030	540	1	1
4	1996	523	3	1
5	894	894	2	1
6	894	894	2	1
7	877	502	2	2
8	354	502	2	2
9	352	502	2	3
10	2024	503	1	1
11	2009	443	3	2
12	2009	367	3	1

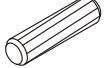
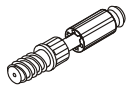
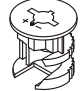
160 min

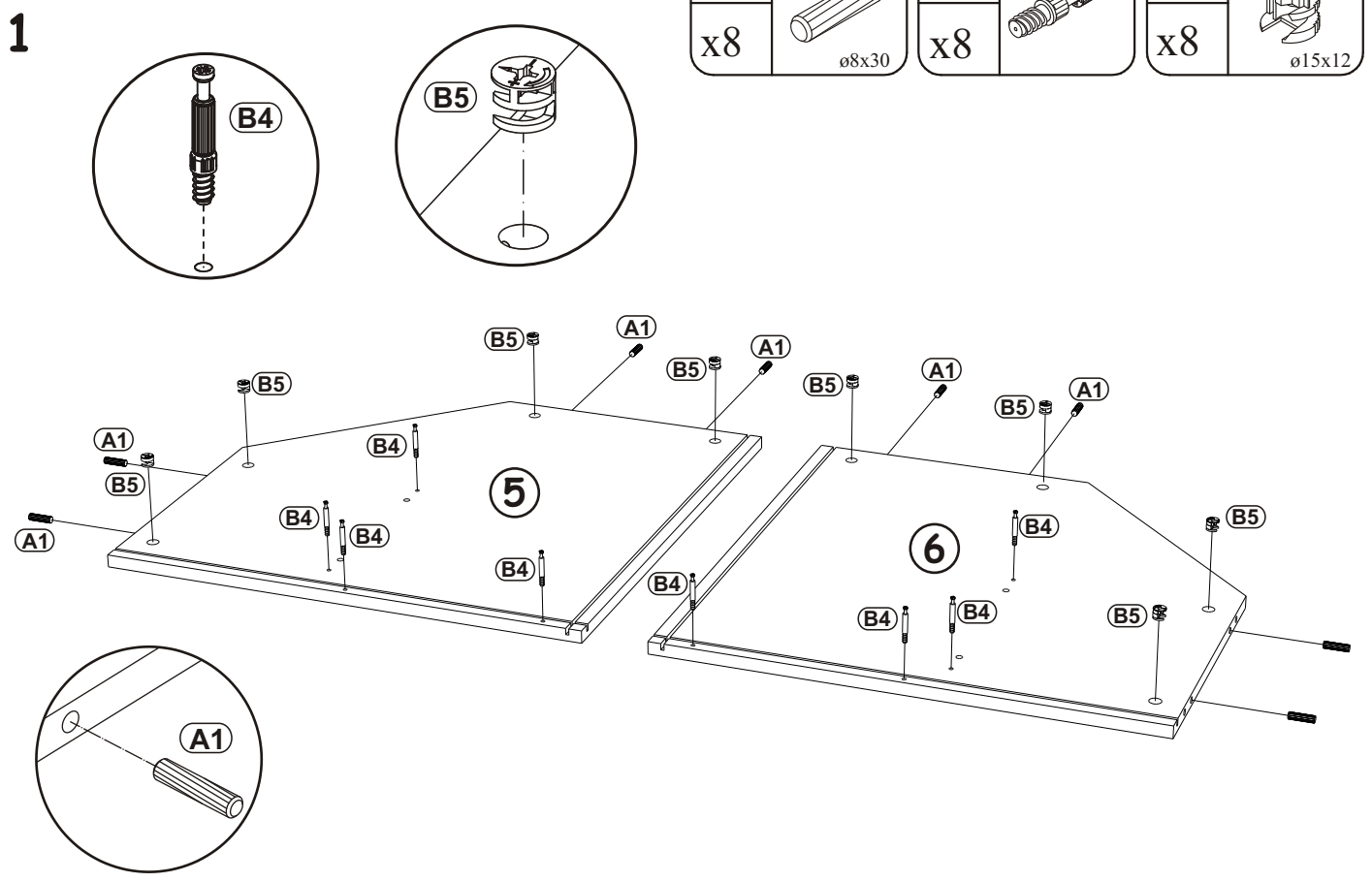
GLOSS Shkaf uglovoj 91x91

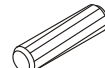
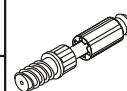

A1 x28  ø8x30	B4 x32 	B5 x32  ø15x12	G5 x32 	E2 x4  H=0	E21 x4  H=0
T1 x5  50x50x20mm	BO1 x1  128mm	S1 x26 	ZX x1  ø7x50	KR2 x20  USØ3,5x30	D10 x12  USØ3,5x16
G2 x1 	E1 x8  ø6,3x13	O1 x2  UsØ4x30	L1 x1 	F1 x12 	Z1 x2 
Z2 x1 					

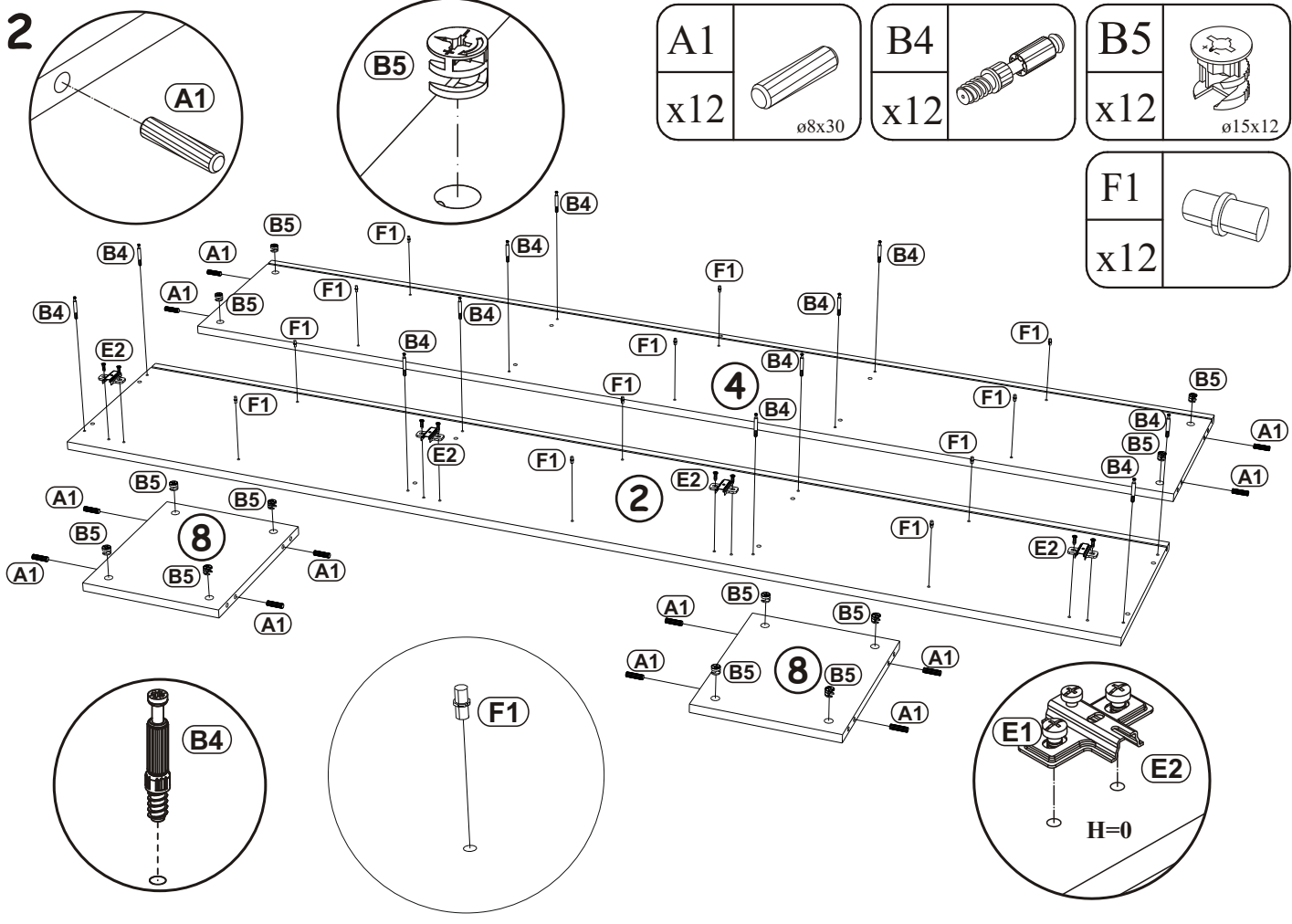


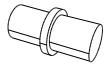
GLOSS Shkaf uglovoj 91x91

A1		B4		B5	
x8	ø8x30	x8		x8	ø15x12




A1		B4		B5	
x12	ø8x30	x12		x12	ø15x12

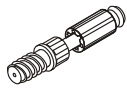



F1	
x12	

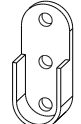
GLOSS Shkaf uglovoj 91x91

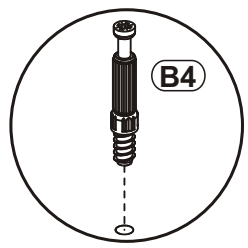
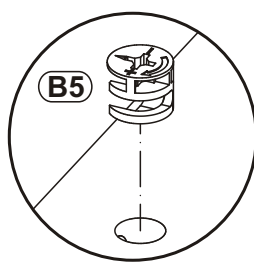
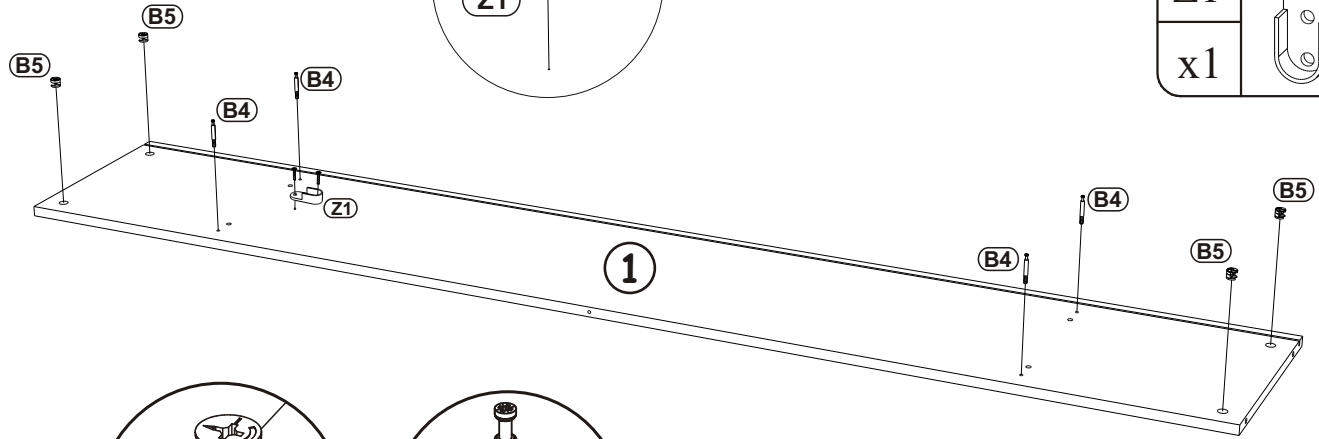
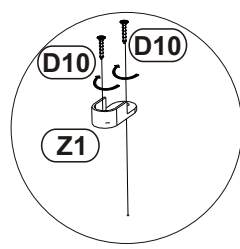
3

D10	
x2	US03,5x16


B4	
x4	


B5	
x4	ø15x12

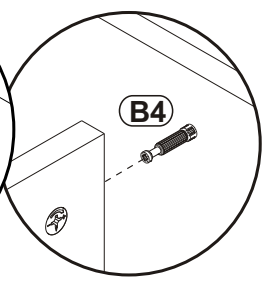
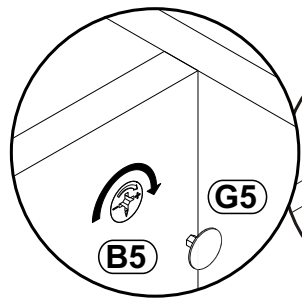
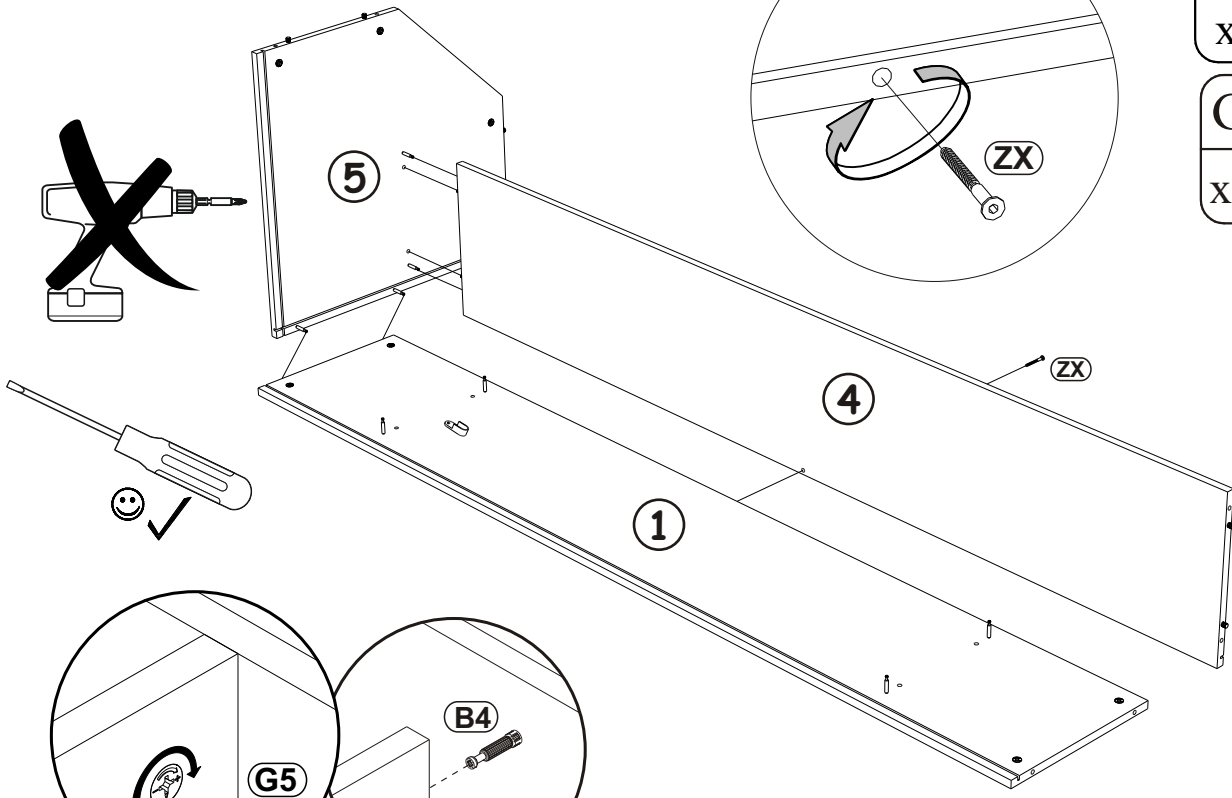
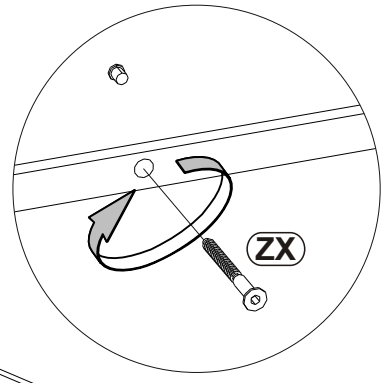
Z1	
x1	




4

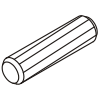
ZX	
x1	ø7x50

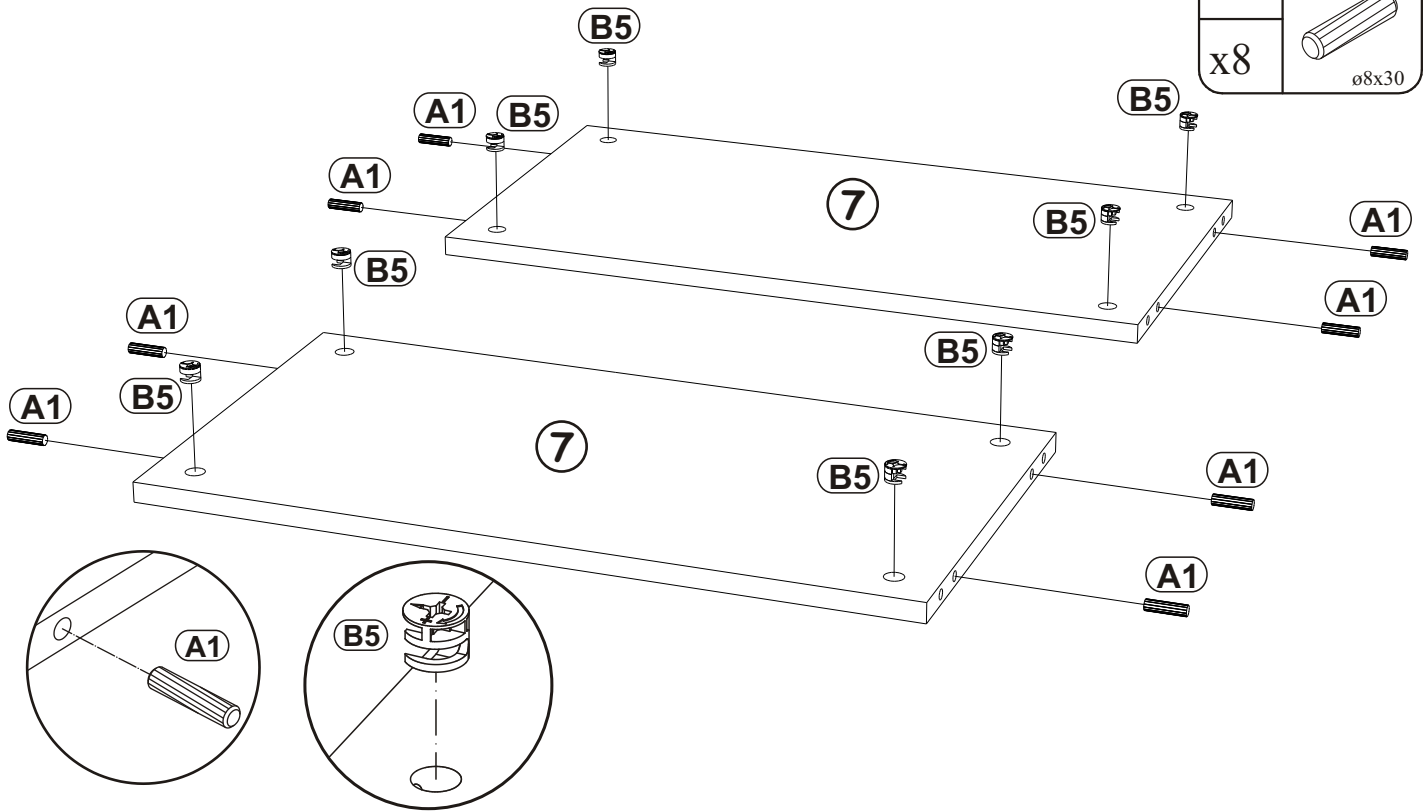
G5	
x2	




5

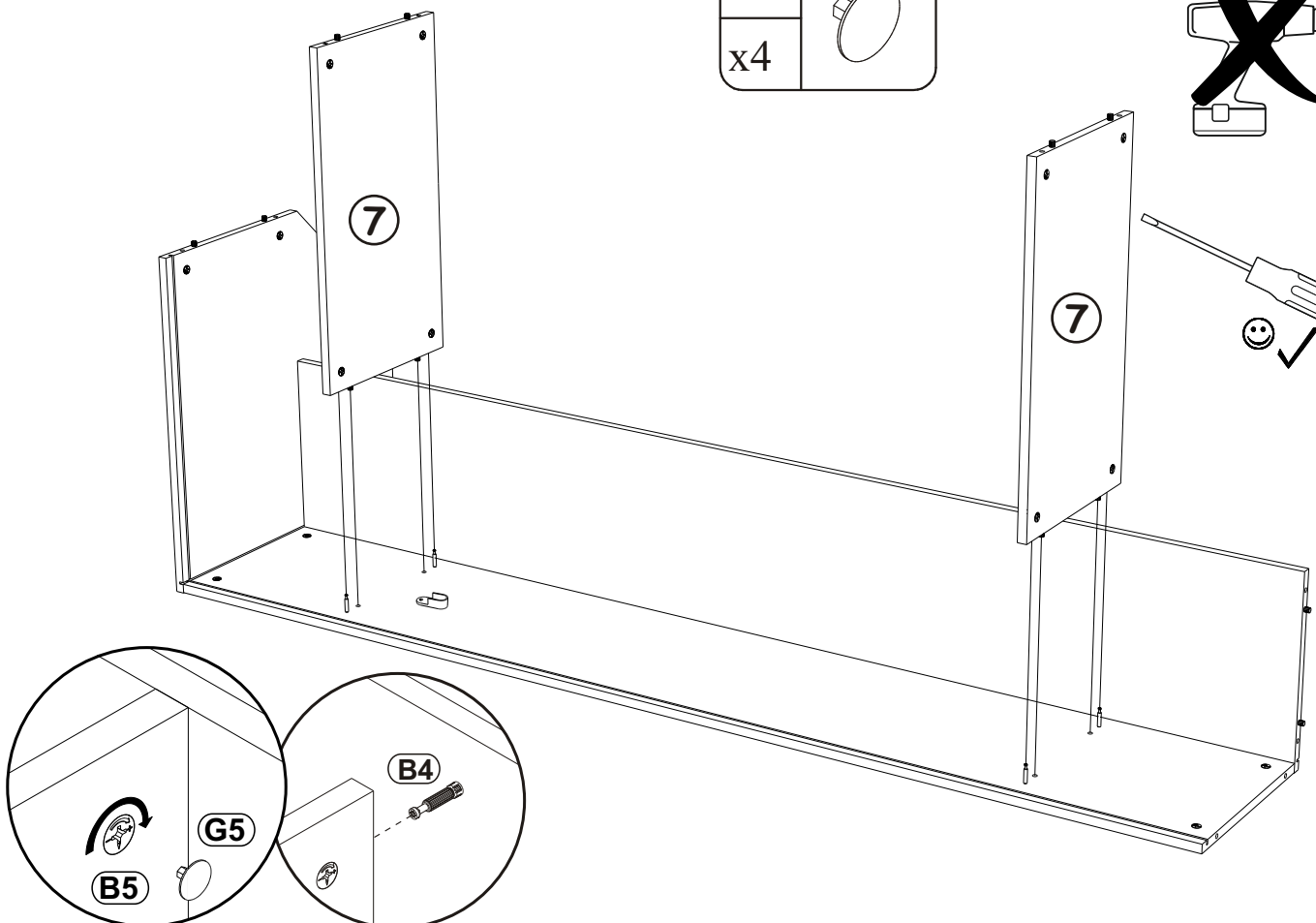
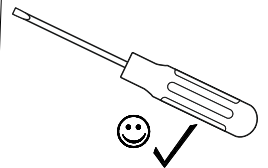
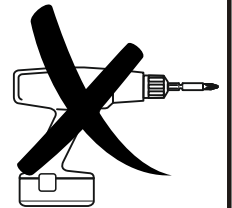
B5	
x8	ø15x12

A1	
x8	ø8x30

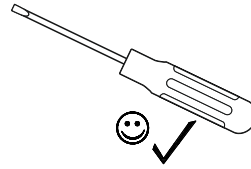
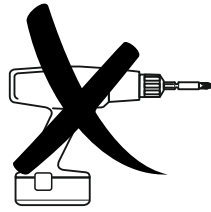


6

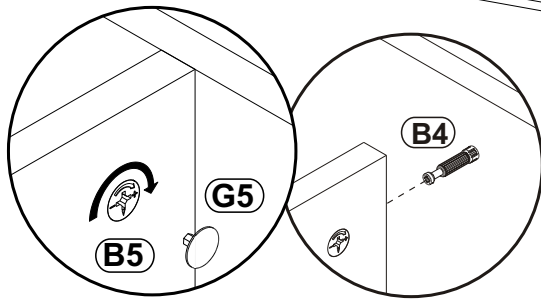
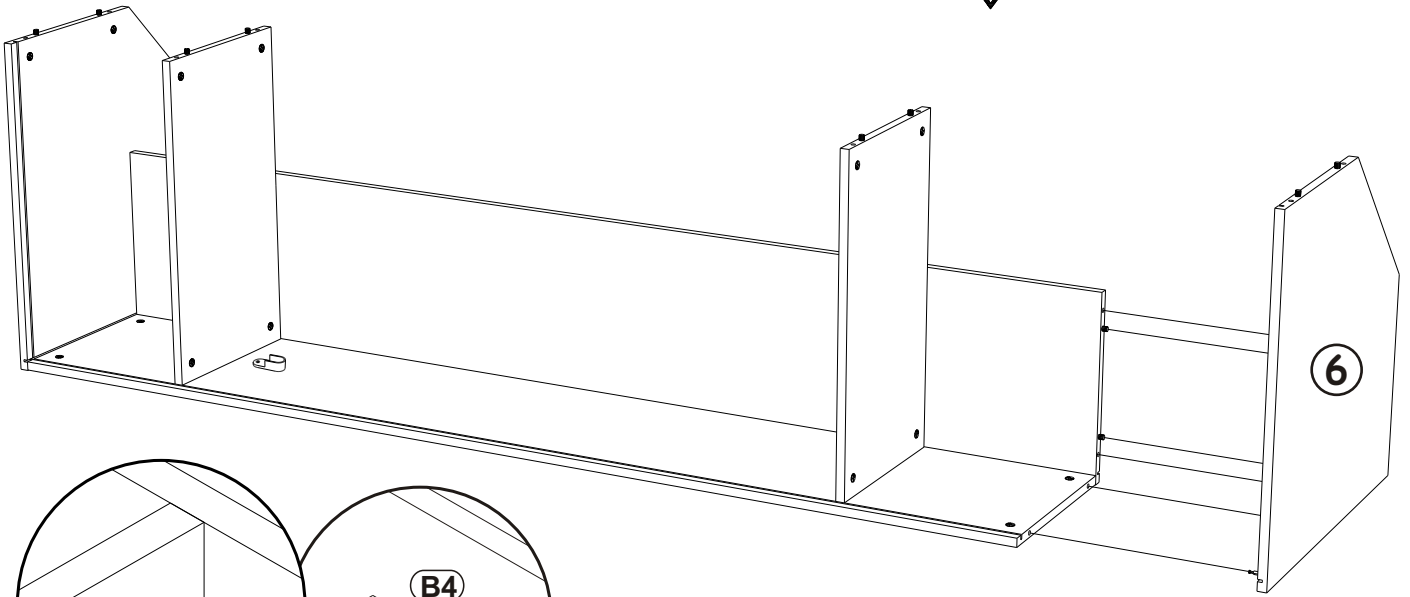
G5	
x4	



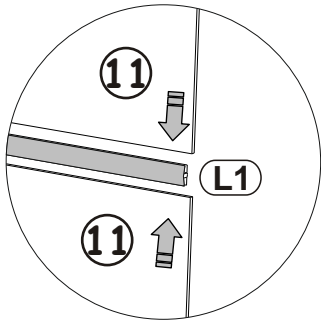
7



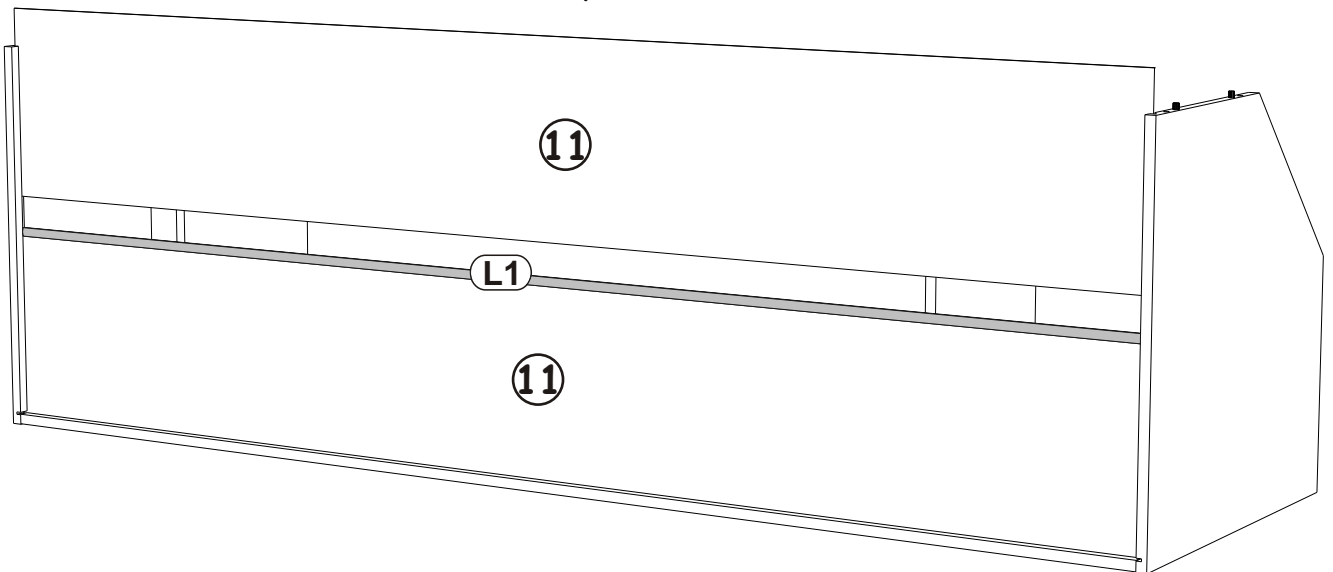
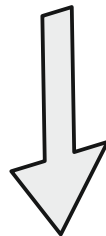
G5	
x4	



8

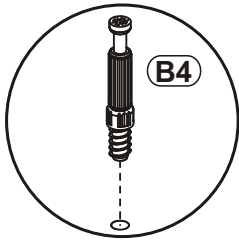
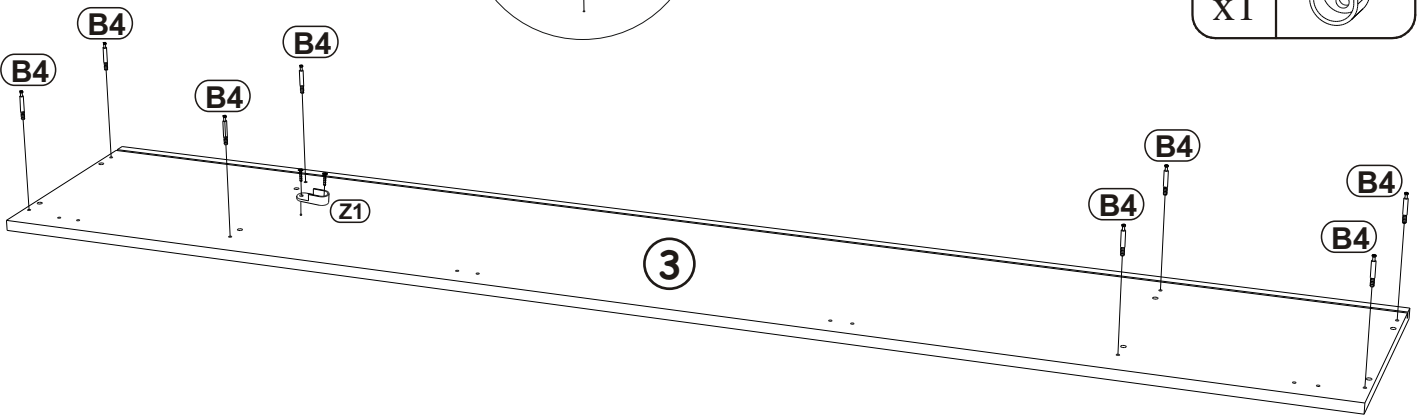
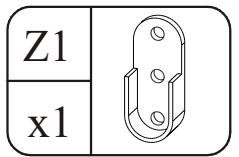
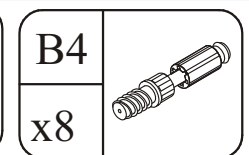
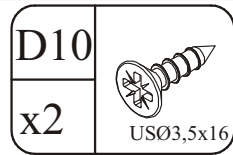
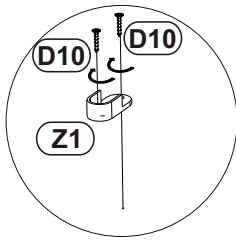


L1	
x1	

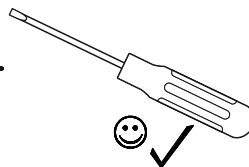
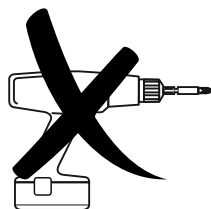
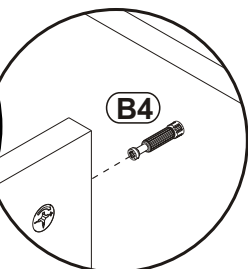
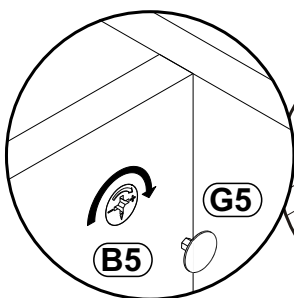
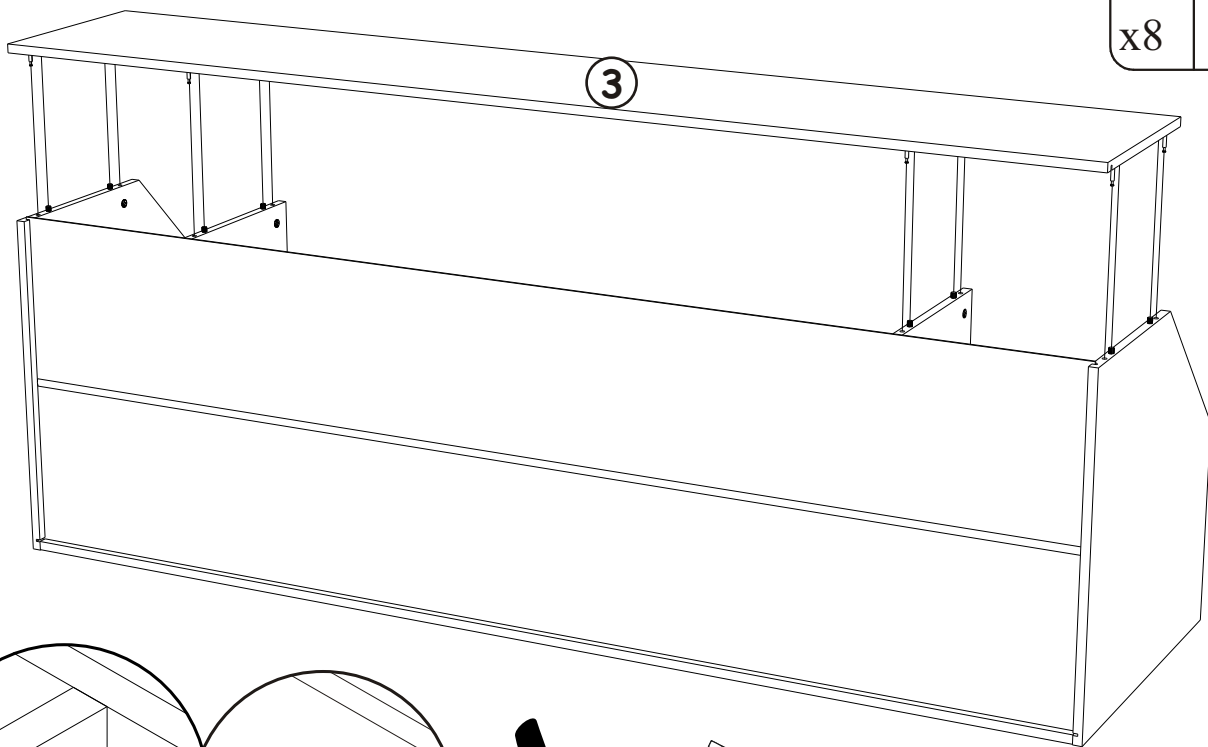
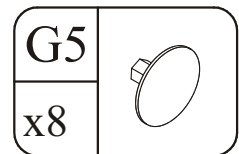


GLOSS Shkaf uglovoj 91x91

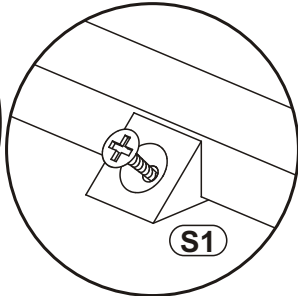
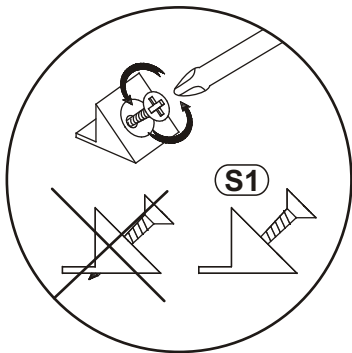
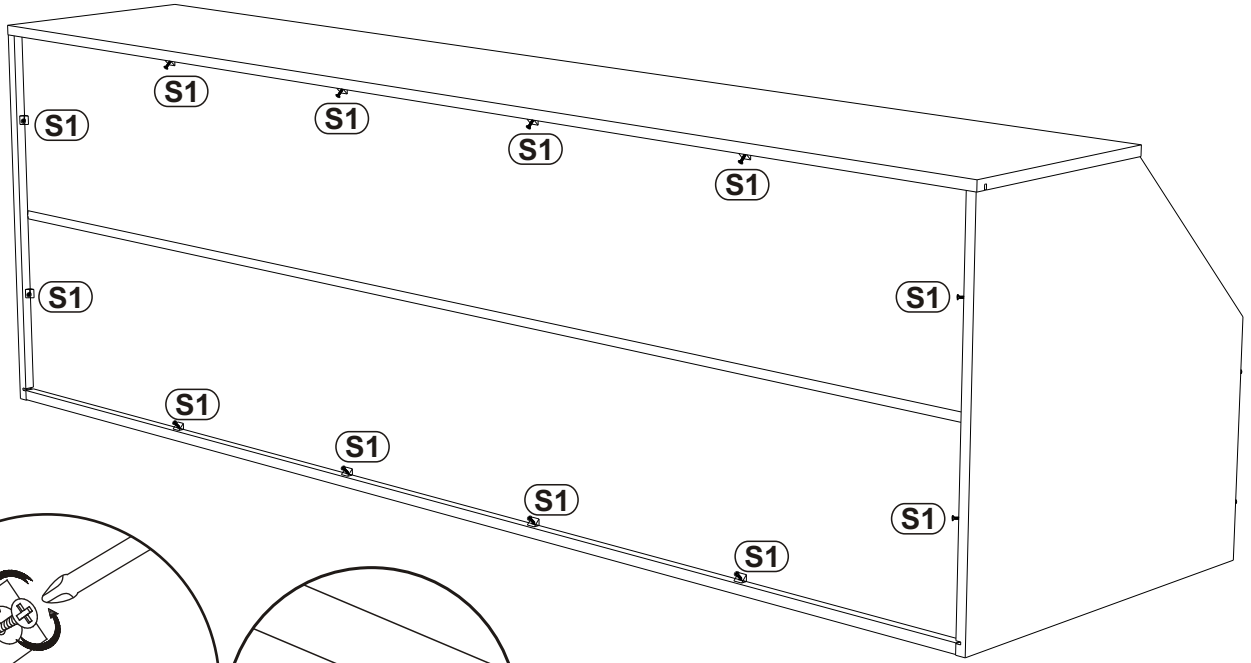
9



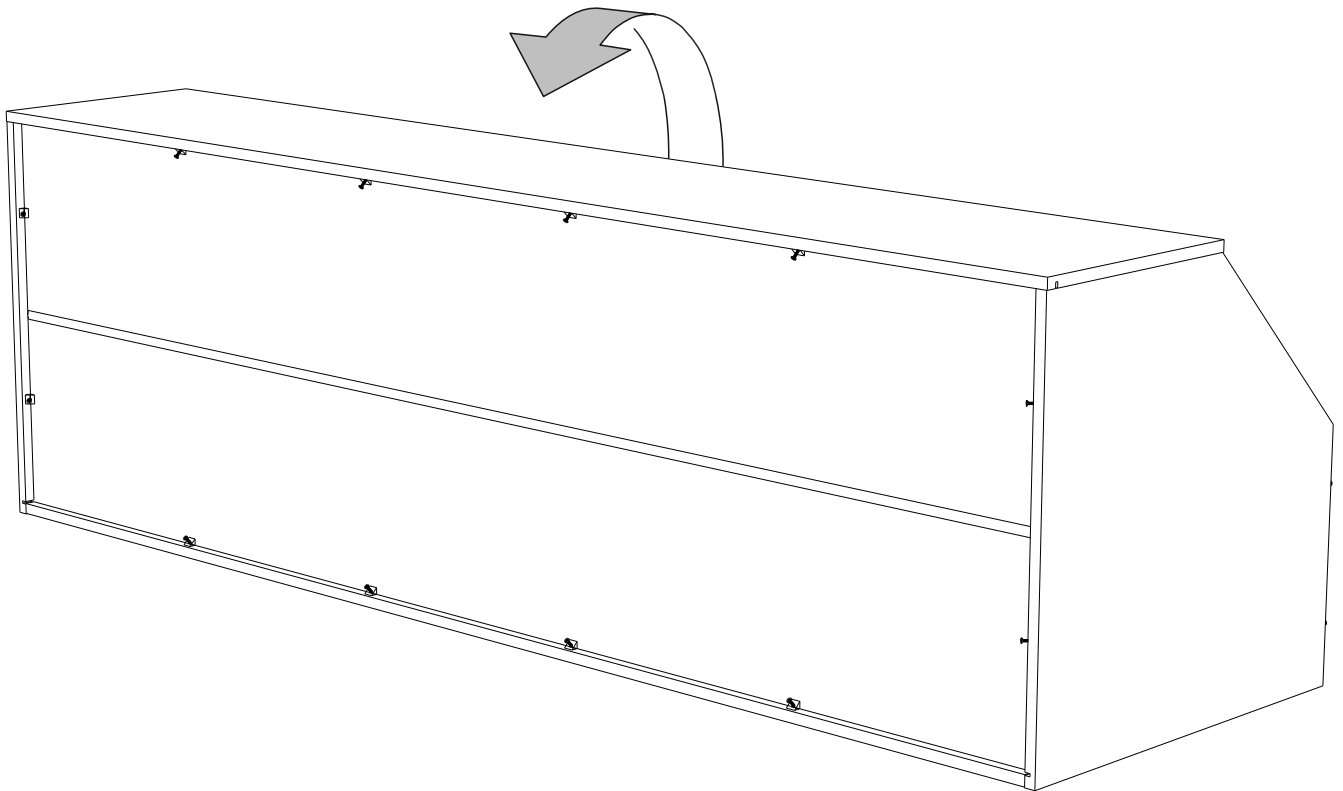
10




11

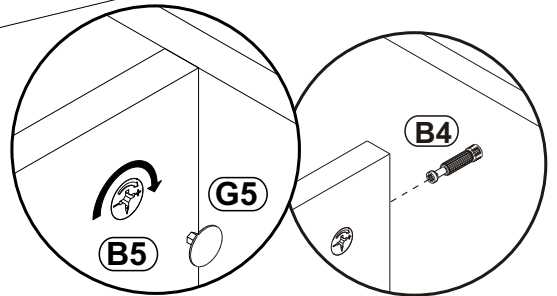
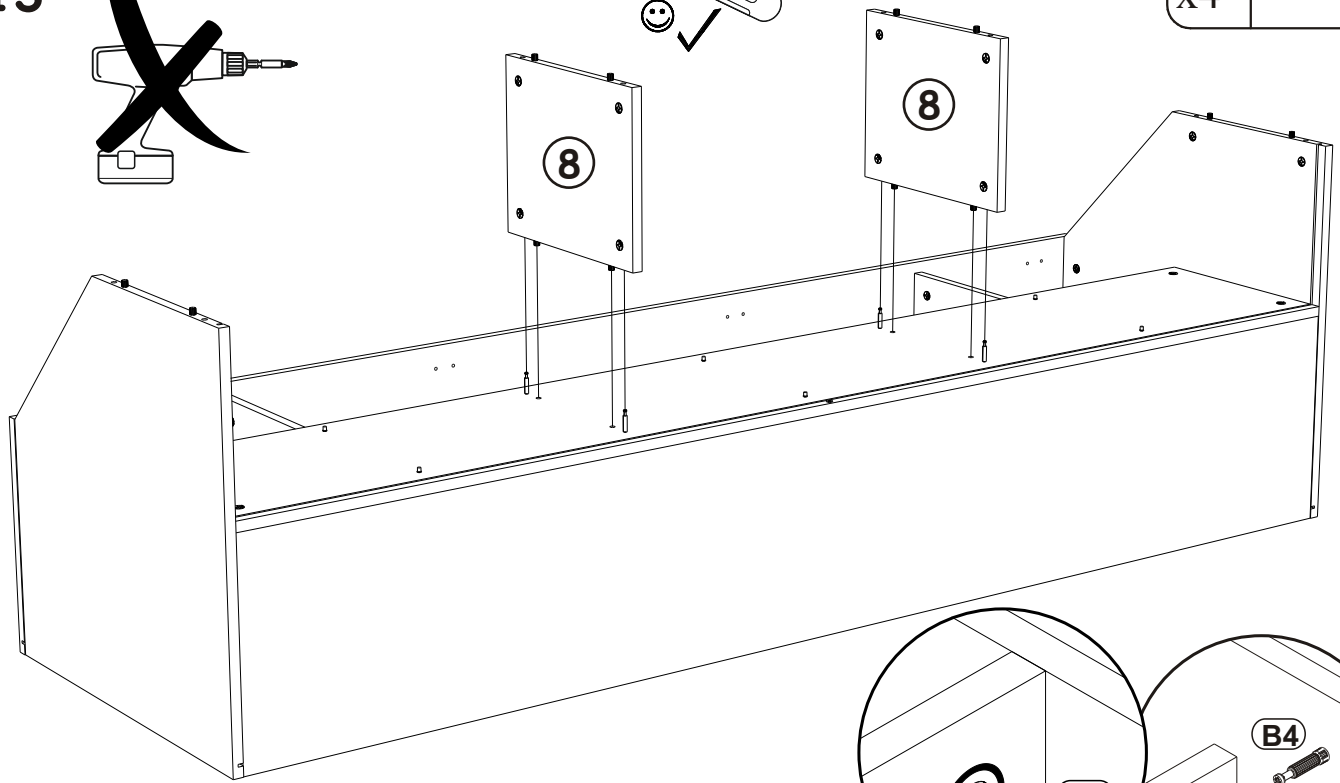
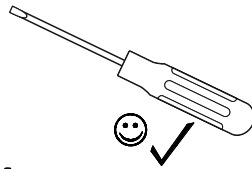
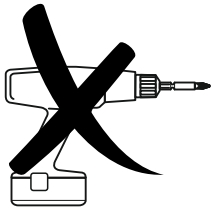


12

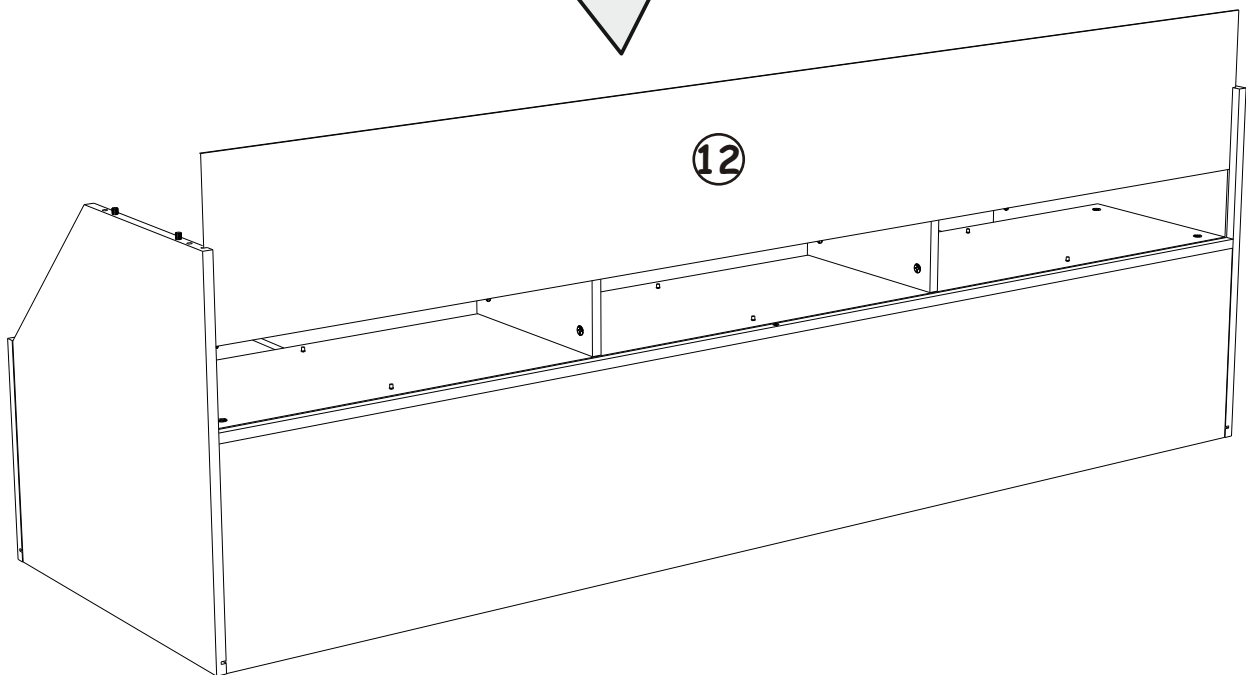
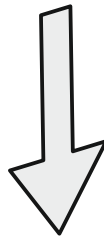



G5	
x4	

13

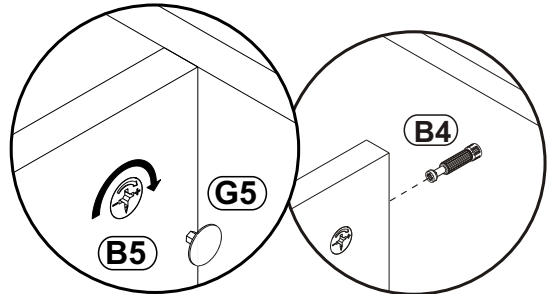
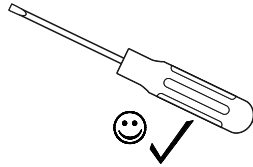
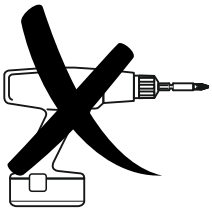
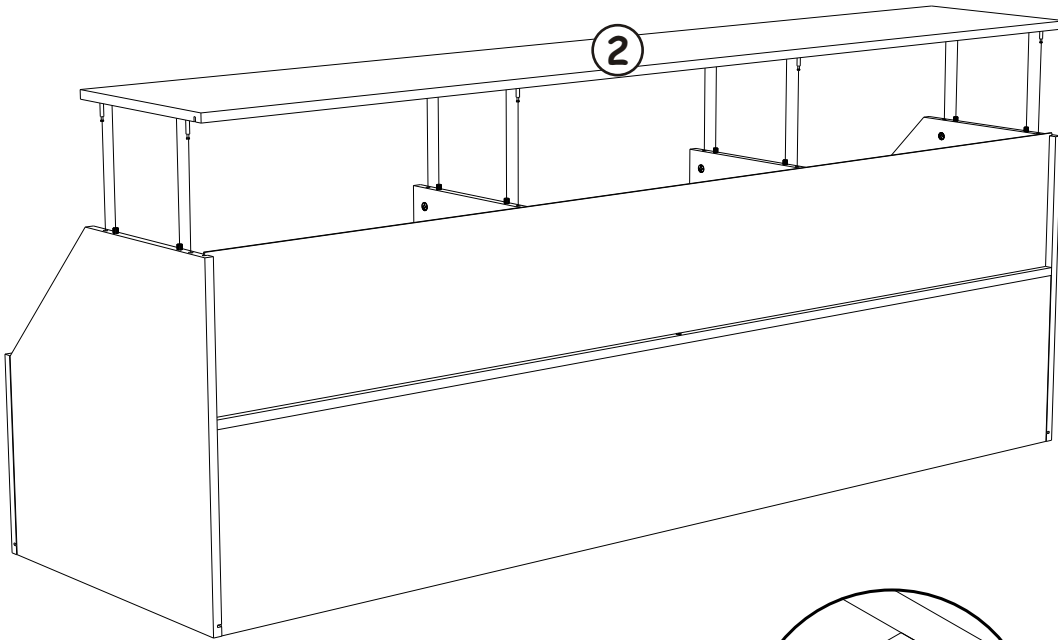


14

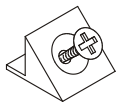


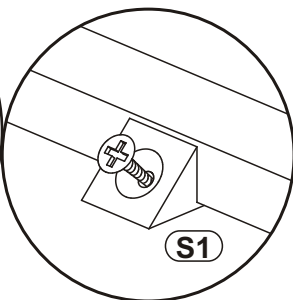
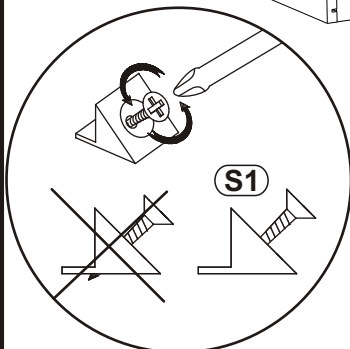
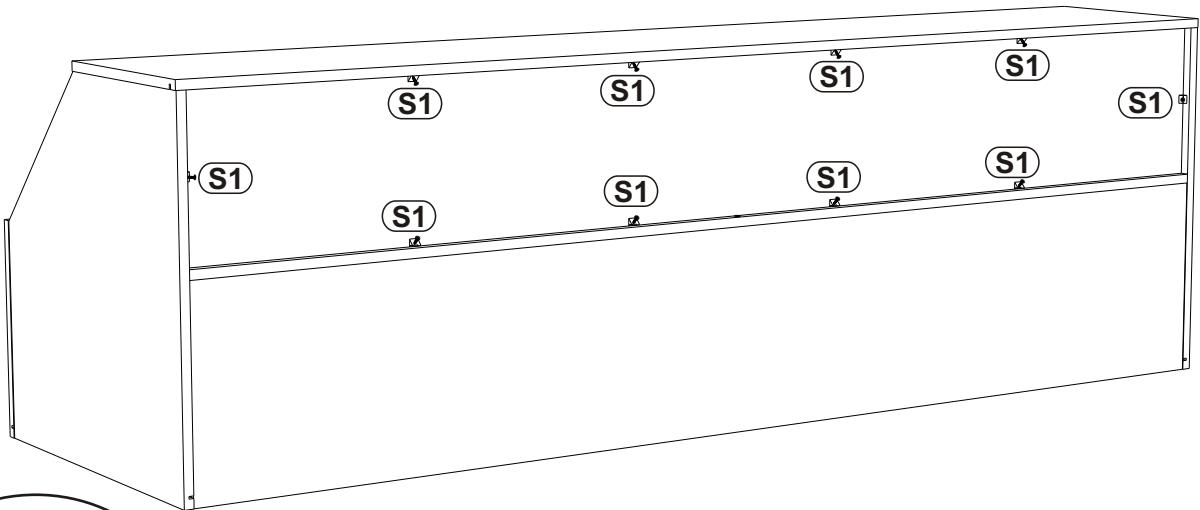
G5	
x8	

15

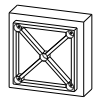
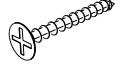


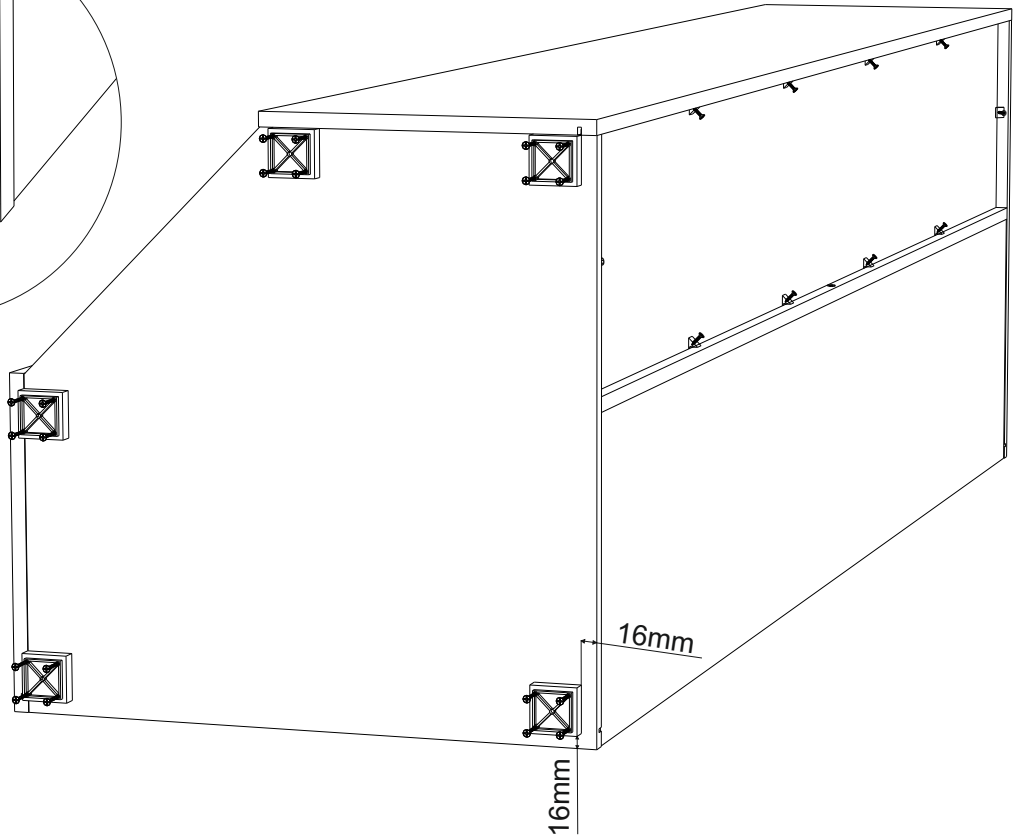
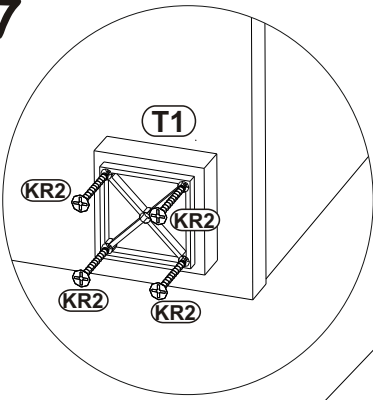
16

S1	
x10	


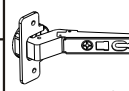


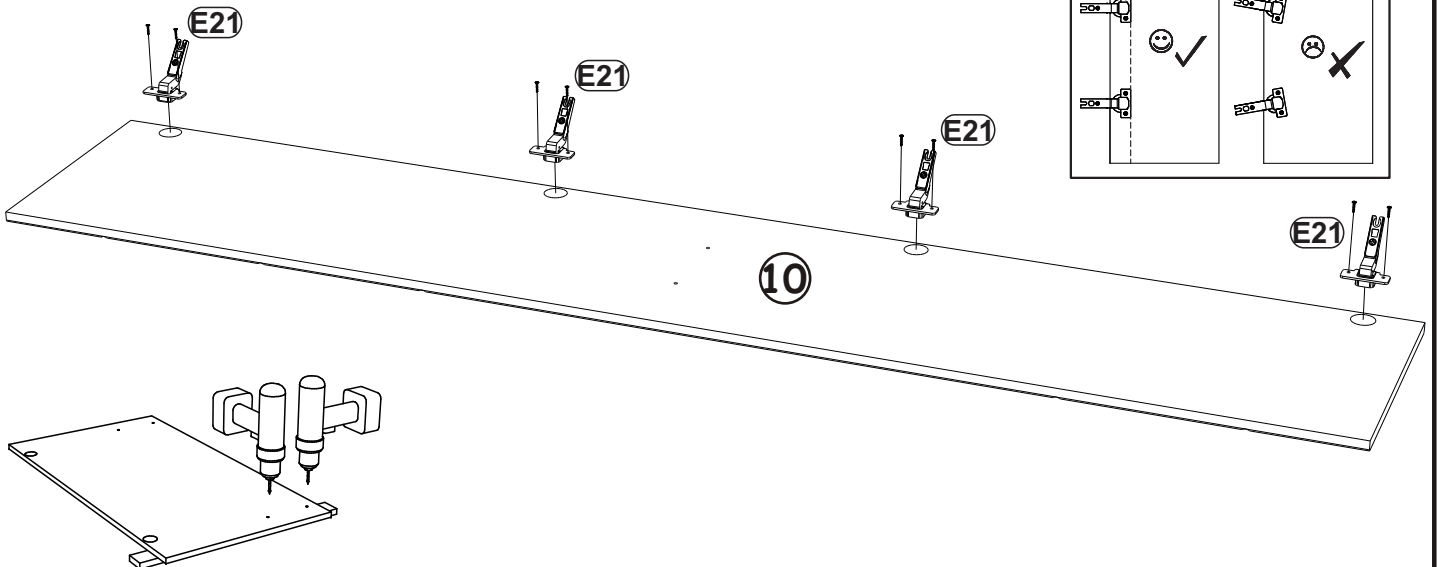
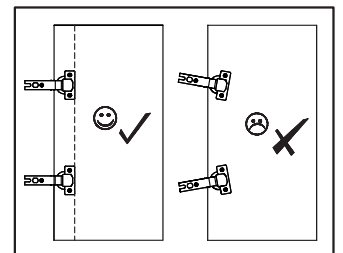
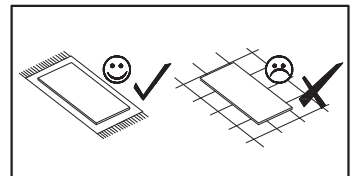
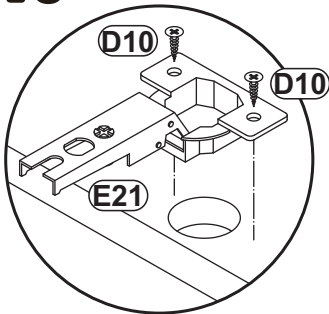
17

T1		KR2	
x5	50x50x20mm	x20	USØ3,5x30

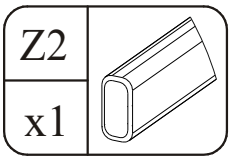
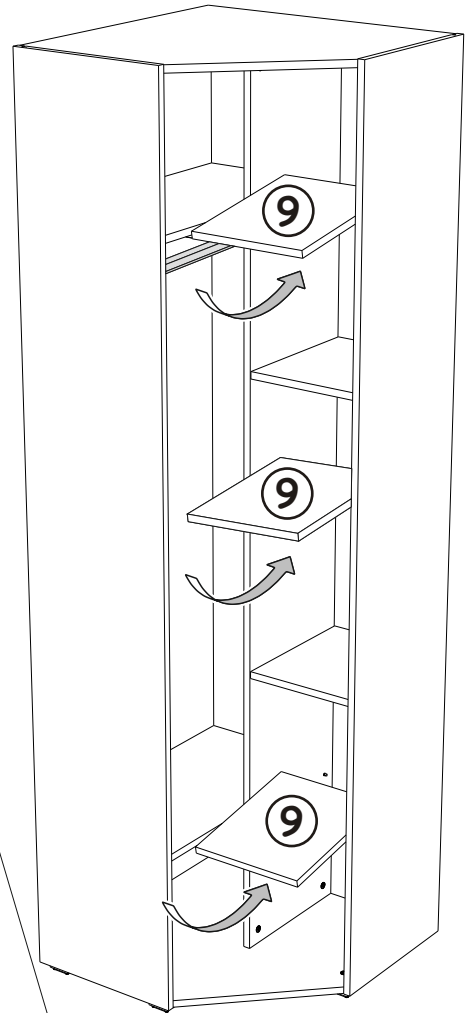
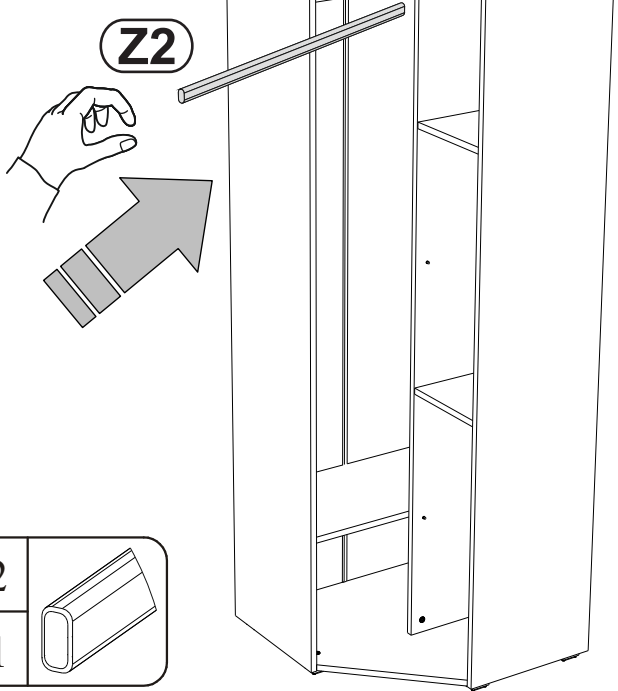


18

D10		E21	
x8	USØ3,5x16	x4	Ø35 H=0



19



20

